



**COMPACT TRACTORS
1978-1983
928 SERIES 2
928 SERIES 2/K1**

928 SERIES 2 COMPACT TRACTOR

1978 – 1981

7HP, 8HP, 10HP or 11HP 28" Cut. Cream & Grey. Short, round disengagement lever (on right hand side) bolted to chassis. Clutch and cutter shaft $\frac{3}{4}$ " stepped to 20mm where bearings sit, rear axles and intershafts 25mm. Long clutch arm.

928 SERIES 2/K1 COMPACT TRACTOR

1981 – 1983

7HP, 8HP or 11HP 28" Cut. Cream & Grey. Long flat disengagement lever. The beginning of large sprockets welded to rear axles. Metric shafting. Short clutch arm. Push button start. Bonnet clips.

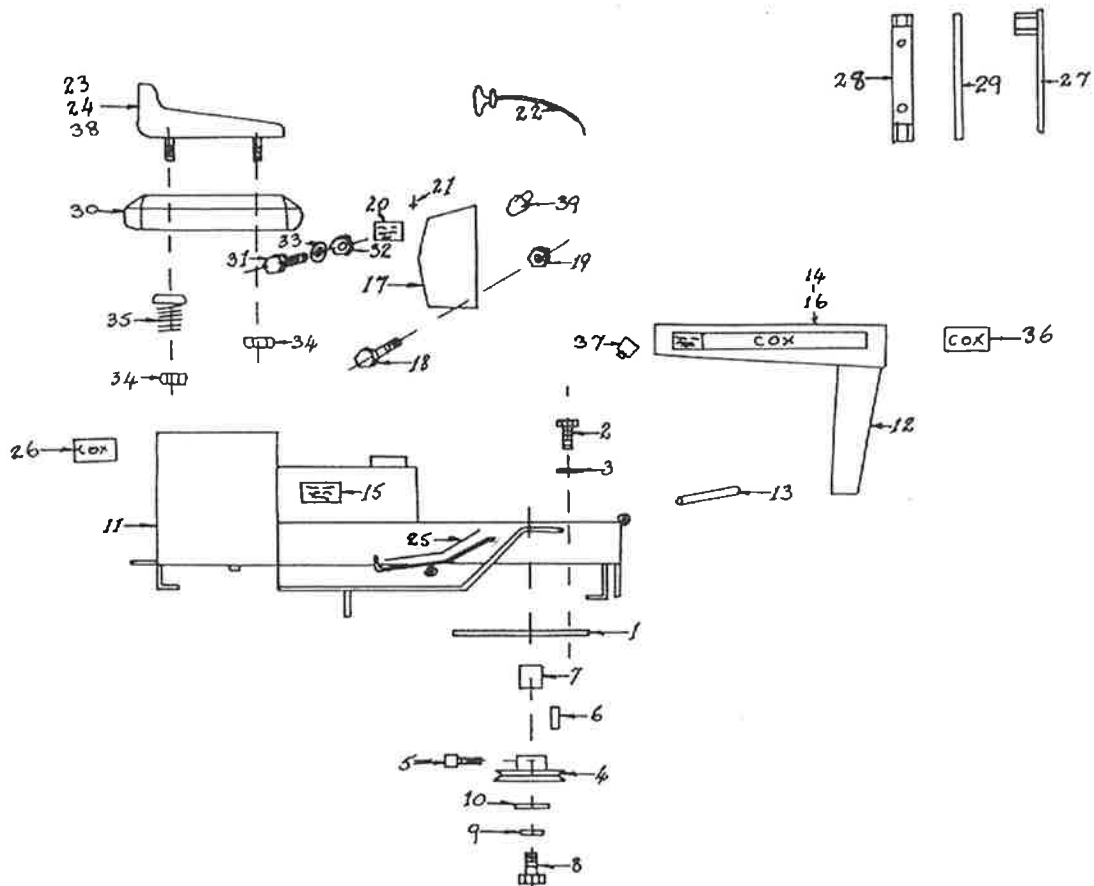
928S2-928S2/K1 GROUP 11: CHASSIS & COMPONENTS

RefPart

No	No	Description
1	SAM077	Engine Mounting Bolt Plate NLA
	AM078B0	Engine Mounting Bolt Plate
2	B0524C	Engine Mounting Bolt (4)
3	W05S	Engine Mounting Bolt S/p Washer (4)
4	AM234	Engine Pulley NLA
5	GS0505C	Engine Pulley Set Screw
6	AM175	Engine Pulley Key
7	AM233	Engine Pulley Spacer
8	SH0720F	Engine Pulley Retaining Bolt
9	W07S	Engine Pulley Ret Bolt S/proof Washer
10	W072004	Engine Pulley Bolt Retaining Washer
11	091101F3	Main Chassis NLA
12	SKIT18C	Bonnet NLA
13	SAM210	Bonnet Hinge Pin NLA
14	STR21	Transfer Bonnet L/H Side NLA
15	STR02	Transfer Chassis 7HP (2) NLA
	STR03	Transfer Chassis 8HP (2) NLA
	STR04	Transfer Chassis 10HP (2) NLA
	STR05	Transfer Chassis 11HP (2) NLA
16	STR22	Bonnet Transfer R/H Side NLA
17	S091112F3	Dash Panel NLA
18	B0412C	Dash Panel Mounting Bolt (4) NLA
19	N04CN	Dash Panel Mounting Bolt Nut (4)
20	S091113	Dash Panel Instruction Plate NLA
21	PR0207	Dash Panel Instruction Plate Pop Rivet
22	S091114	Throttle Cable NLA
	S091120B6	Throttle Cable (Tecumseh) NLA

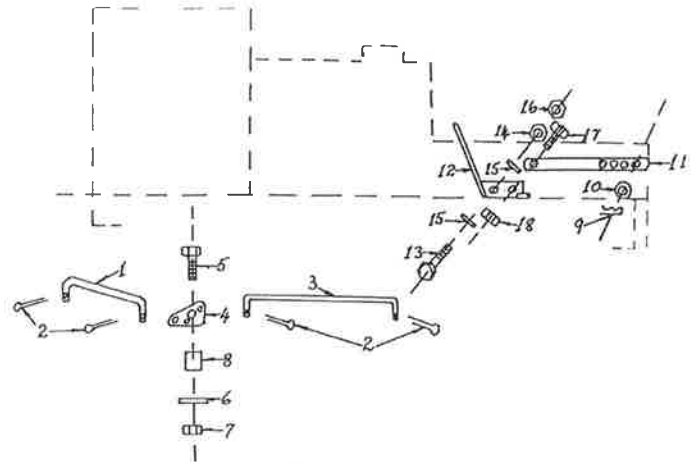
RefPart

No	No	Description
23	AM002	Seat Cushion NLA
24	AM003	Seat Cover incl. Wire & Cord NLA
25	NSM01	Clutch Pedal NSM & Foot Rest NSM
26	STR16	Transfer Rear Chassis
27	AM005G0	Spark Plug Spanner
28	AM006C1	Tube Spanner
29	AM007	Tube Spanner Tommy Bar
30	091117D9	Transmission Housing Cover NLA
31	B0516C	Transmission Hsg Cover Hinge Bolt (2)
32	N05CN	Transmission Hsg Cover Bolt Nut (2)
33	W051216	Hinge Washer (2)
34	N06CN	Seat Bolt Nut (3)
35	AM177	Seat Spring (2)
36	1078	Transfer 'COX' Bonnet NLA
37	1098A	Bonnet Clip Hook (2) NLA
38	1191	Seat Base NLA
39	823	Bonnet Clip (2) NLA



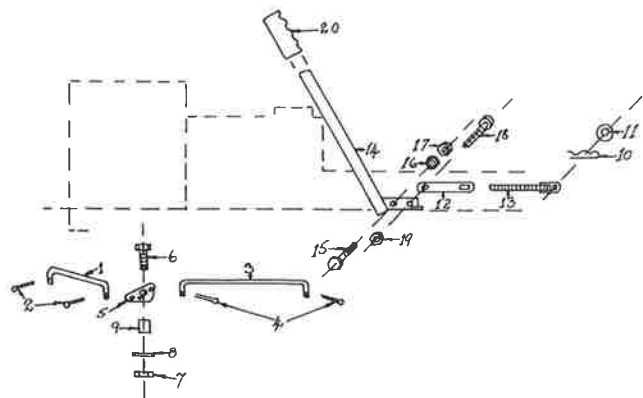
928 Series 2 GROUP 12: RIGHT SIDE OF CHASSIS

Ref. No.	Part No.	Description
1	893	Clutch Rod Short NLA
	893G	Clutch Rod Short (Gear Box) NLA
2	CP3-220	Clutch Rod Split Pin (4)
3	895	Clutch Rod Long NLA
	895G	Clutch Rod Long Gear Box Type NLA
4	AM008	Clutch Control Rod Pivot Plate NLA
5	B0636C	Rod Pivot Plate Mounting Bolt NLA
6	W06S	Rod Pivot Plate Shakeproof Washer
7	N06CN	Clutch Control Rod Pivot Plate Nut
8	091203	Clutch Control Pivot Bush NLA
9	RP01	Disengagement Conn Rod 'R' Pin
10	W051216	Disengagement Conn Rod Washer
11	1183	Disengaging Rod Long NLA
12	1184	Disengaging Handle NLA
13	SH0620C	Disengaging Hand Pivot Bolt NLA
14	N06C	Pivot Bolt Nut
15	W061216	Pivot Bolt Washer (2)
16	N06CN	Pivot Bolt Lock Nut
17	B0512C	Connecting Rod Bolt
18	N05CN	Connecting Rod Bolt Nut



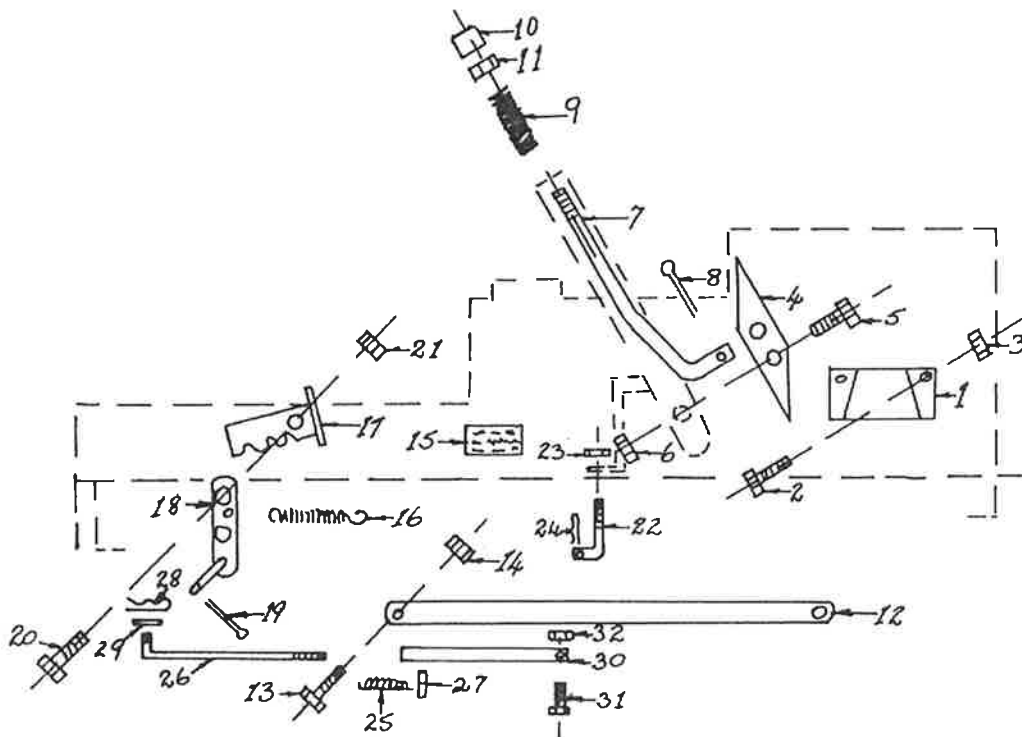
928 Series 2/K1 GROUP 12: RIGHT SIDE OF CHASSIS

Ref. No.	Part No.	Description
1	AM238	Clutch Pull Rod Short
2	CP3-220	Clutch Pull Rod Short Retaining Split Pin
3	K1-895	Clutch Pull Rod Long NLA
4	CP3-220	Clutch Pull Rod Long Retaining Split Pin
5	AM008	Clutch Control Rod Pivot Plate NLA
6	B0636C	Rod Pivot Plate Mounting Bolt NLA
7	N06CN	Clutch Control Rod Pivot Plate Nut
8	W061216	Clutch Control Rod Pivot Plate Washer
9	091203	Clutch Control Rod Pivot Bush NLA
10	RP01	Disengaging Adjuster 'R' Pin
11	W051216	Disengaging Adjuster Washer (2)
12	091205J6	Disengaging Adjuster Bushed NLA
13	AM010	Disengaging Adjuster Threaded NLA
14	S091204F3	Disengaging Handle
15	SH0620C	Disengaging Handle Pivot Bolt
16	N06C	Pivot Bolt Nut
17	N06CN	Pivot Bolt Lock Nut
18	B0512C	Disengaging Adjuster Bolt
19	N05CN	Disengaging Adjuster Bolt Nut
20	AM009	Handle Grip



928S2-928S2/K1 GROUP 13: LEFT SIDE OF CHASSIS

Ref. No.	Part No.	Description
1	S091911D9	Drive Chain Guard NLA
2	B0412C	Drive Chain Guard Retaining Bolt (2) NLA
3	N04CN	Drive Chain Guard Nut (2)
4	AM011	Height Adjustment Pawl
5	B0516C	Height Adjustment Pawl Pivot Bolt
6	N05CN	Height Adjustment Pawl Pivot Bolt Nut
7	AM143M9	Height Adjustment Pawl Push Rod
8	CP2-512	Height Adjustment Pawl Push Rod Split Pin
9	AM012	Height Adjustment Pawl Push Rod Spring
10	AM013Q2	Height Adjustment Pawl Push Rod Button
11	N04C	Height Adjustment Pawl Push Rod Lock Nut
12	AM186	Height Control Front to Rear Conn Rod NLA
13	B0616C	Height Control Front to Rear Conn Rod Bolt (2)
14	N06CN	Height Control Front to Rear Conn Rod Lock Nut (2)
15	STR08	Mounting Caution Transfer NLA
16	AM183	Brake Pedal Spring
17	091301	Brake Pedal NLA
18	091302	Brake Pedal Link NLA
19	CP3-220	Brake Pedal Link Split Pin
20	B0516C	Brake Pedal Pivot Bolt
21	N05CN	Brake Pedal Rack Pivot Bolt Nut
22	AM185B0	Cutter Lifting Link
23	N06CN	Cutter Lifting Link Nut
24	RP02	Cutter Lifting Link 'R' Pin
25	AM035	Cutter Head Brake Spring 928S2/K1
26	091310	Cutter Brake Adjusting Rod 928S2/K1
27	NS05C	Cutter Brake Adjusting Rod Nut 928S2/K1
28	RP01	Cutter Brake Adjusting Rod Nut 'R' Pin 928S2/K1
29	W051216	Cutter Brake Adjusting Rod Nut Washer 928S2/K1
30	AM034H0	Cutter Brake Adjuster Bracket 928S2/K1
31	B0516C	Cutter Brake Adjuster Bracket Bolt 928S2/K1
32	N05CN	Cutter Brake Adjuster Bracket Bolt Nut 928S2/K1

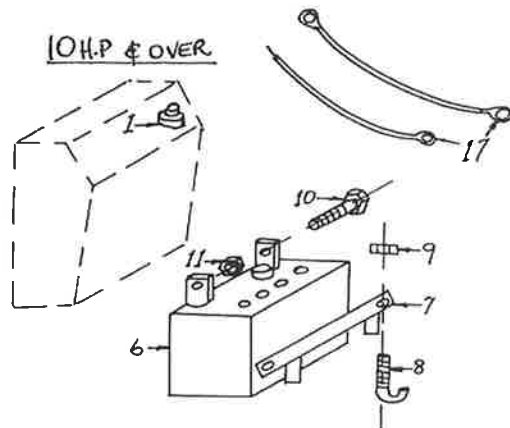
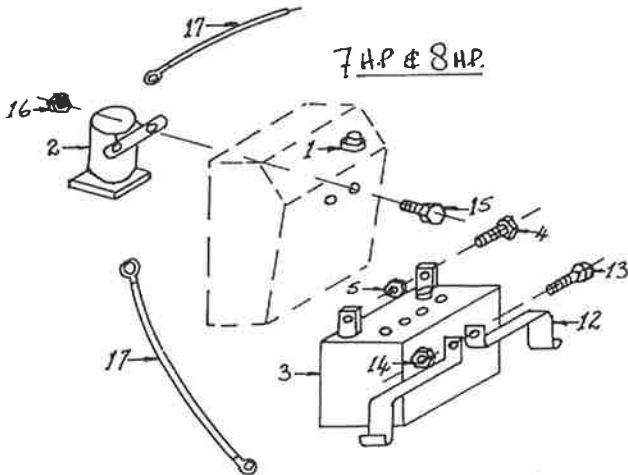


928S2 GROUP 14: ELECTRICAL COMPONENTS

Ref. No.	Part No.	Description
	836	Electrical Start Button NLA
	836A	Electrical Start Button & Knob (10HP & Over) NLA
	AM159	Solenoid used in conjunction with Part No 836 (10HP & Over)
	1158	Lamp Holder NLA
	SR0308W	Lamp Holder Attaching Screw (2) NLA
	W03S	Lamp Holder Attaching Washer (2)
	N03W	Lamp Holder Attaching Nut (2) NLA
	1162	Lamp (2) NLA
	1163	Lamp Cover includes Screws (2) NLA
	833	Head Light Switch NLA
	0914B602	Battery Large 10HP & Over NLA
	B0416C	Battery Large Terminal Bolt (2)
	N04C	Battery Terminal Bolt Nut (2)
	7187	Battery Small 7 & 8HP NLA
	B0416C	Battery Small Terminal Bolt (2)
	N04C	Battery Small Terminal Bolt Nut (2)
	1197	Battery Carrier 10HP & Over NLA
	09140003	Battery Clamp (2) NLA
	SR0420C	Battery Clamp Bolt
	N04C	Battery Clamp Bolt Nut
	1202	Battery Carrier 7 & 8HP NLA
	1206	Battery Strap 7 & 8HP (2) NLA
	SR0412W	Battery Strap Screw NLA
	N04C	Battery Strap Screw Nut

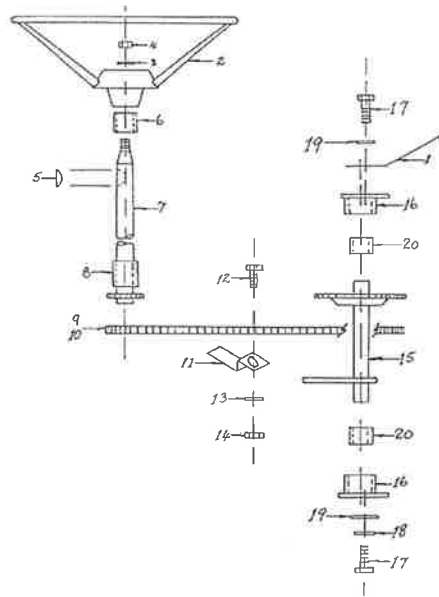
928S2/K1 GROUP 14: ELECTRICAL COMPONENTS (7HP & 8HP)

Ref. No.	Part No.	Description
1	836	Starter Button NLA
2	AM159	Solenoid
3	AM109	Battery buy locally
4	B0416C	Battery Large Terminal Bolt (2) NLA
5	N04C	Battery Terminal Bolt Nut (2)
6	7187	Battery Small NLA
7	1172	Battery Clamp Small NLA
8	1173	Battery Clamp Small Bolt (2) NLA
9	N04C	Battery Small Clamp Bolt Nut (2)
10	B0416C	Battery Small Terminal Bolt (2)
11	N04C	Battery Small Terminal Bolt Nut (2)
12	AM300	Battery Large Clamp (2)
13	SR0420C	Battery Clamp Screw
14	N04C	Battery Clamp Screw Nut
15	B0412C	Solenoid Mounting Bolt (2)
16	N04CN	Solenoid Mounting Bolt Nut (2)
17	13115	Lead - Red
	13116	Lead - Black



928S2-928S2/K1 GROUP 15: STEERING COMPONENTS

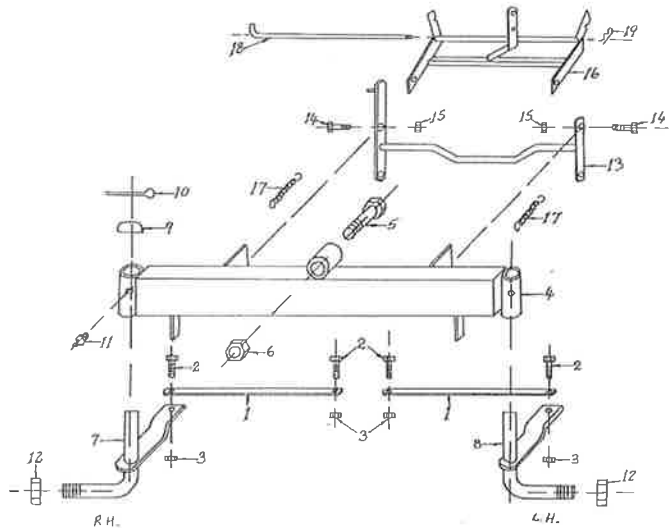
Ref. No.	Part No.	Description
1	819	Bonnet Stop Bracket 928S2 NLA
	S091507	Bonnet Stop Bracket 928S2/K1 NLA
2**	AM016	Steering Wheel NLA
3	W061216	Steering Wheel Washer
4	N06CN	Steering Wheel Lock Nut
5	SK03	Steering Wheel Woodruff Key
6	AM066	Steering Wheel Spacer
7	S091502A9	Steering Shaft NLA
8	AM017C1	Steering Shaft Bush
9	AM018	Steering Chain including Link
10	SAM019	Steering Chain Connecting Link
11	09150003	Steering Chain Adjuster NLA
12	B0512C	Chain Adjuster Mounting Bolt
13	W051216	Chain Adjuster Mounting Bolt Flat Washer
14	N05CN	Chain Adjuster Mounting Bolt Nut
15	852	Steering Idler Shaft NLA
16	SAM214	Idler Mounting Bracket (2) NLA
17	B0512C	Idler Mounting Bracket Bolt (4)
18	W05S	Idler Mounting Bracket Shakeproof Washer (4)
19	W051216	Idler Mounting Bracket Washer (4)
20	AM215	Idler Mounting Bracket Bush (2)



**** Convert to New Type Steering Wheel using Part No SKIT37**

928S2-928S2/K1 GROUP 16: FRONT AXLE COMPONENTS

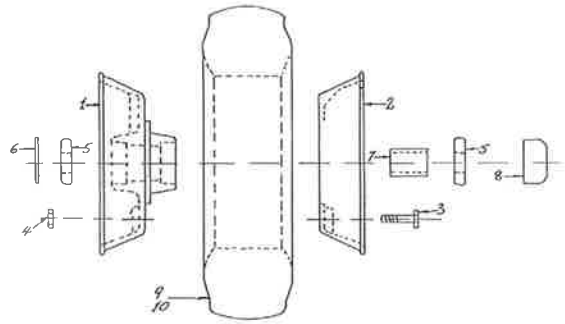
Ref. No.	Part No.	Description
1	858	Steering Tie Rod (2) NLA
2	B0520C	Steering Tie Rod Bolt (4)
3	N05CN	Steering Tie Rod Nut (4)
4	SAM190	*** Front Axle NLA
5	B1236W	Front Axle Pivot Bolt NLA
6	SAM191	Front Axle Pivot Bolt Nut
7	AM067	Front Wheel Stub Axle L/ HNLA
8	AM068	Front Wheel Stub Axle R/ HNLA
9	AM069	Stub Axle Cup Washer
10	CP3-225	Stub Axle Retaining Split Pin (2)
11	GNTF3	Stub Axle Grease Nipple (2)
12	NHM20x1.5T	Front Wheel Nut (2)
13	SAM192G3	Front Axle Connecting Link NLA
14	B0620C	Connecting Link Bolt (4)
15	N06CN	Connecting Link Nut (4)
16	SKIT62	Cutter Housing Connecting Link
17	AM040	Cutter Belt Tension Spring
18	AM039S2	Cutter Housing Pivot Rod NLA
19	RP02	Cutter Housing Pivot Rod 'R' Pin



***** Convert to New Type using KIT163**

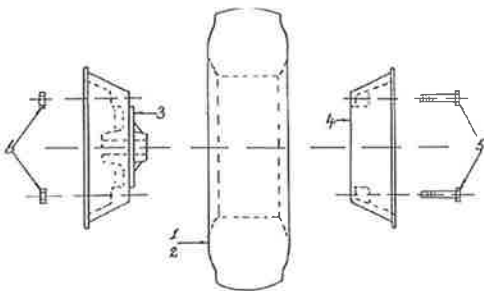
928S2-928S2/K1 GROUP 17: FRONT WHEEL COMPONENTS

Ref. No.	Part No.	Description
1	091701	Front Wheel Hub (2) NLA
2	091702	Front Wheel Rim Standard (2) NLA
	091703	Front Wheel Rim Wide (2) NLA use AM193M9
3	B0520C	Front Wheel Retaining Bolt (6)
4	N05C	Front Wheel Bolt Nut (6)
5	BB204212N	Bearing (4)
6	W203902	Bearing Inner Dust Washer (2)
7	AM021	Bearing Spacer (2)
8	AM07099C	Hub Cap (2)
9	STY350x6	Front Wheel Tyre Standard (2) NLA
	TT500x6	Front Wheel Tyre & Tube Wide (2)
10	STU350x6	Front Wheel Tube Standard (2) NLA
	STU500x6	Front Wheel Tube Wide (2)



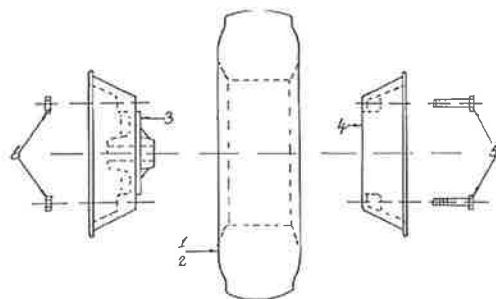
928S2 GROUP 18: REAR WHEEL COMPONENTS

Ref. No.	Part No.	Description
1	TY400x8	Rear Wheel Tyre Standard (2) NLA
	TT650x8	Rear Wheel Tyre Wide (2)
2	STU400x8	Rear Wheel Tube Standard (2) NLA
	STU650x8	Rear Wheel Tube Wide (2)
3	091801	Rear Wheel Hub (2) NLA
4	S091802	Rear Wheel Rim (2) NLA
	951A	Rear Wheel Spacer Wide (2) NLA use AM194
5	B0632C	Rear Wheel Hub Bolt R/H (6) NLA
	B0656C	Rear Wheel Hub Bolt R/H Wide (6)
	B06104W	Rear Wheel Rim Bolt Drum Type (6) Wide Wheels NLA
	B0672C	Rear Wheel Rim Bolt Drum Type (6) Standard Wheels NLA
6	N06C	Rear Wheel Hub Bolt Nut (6)



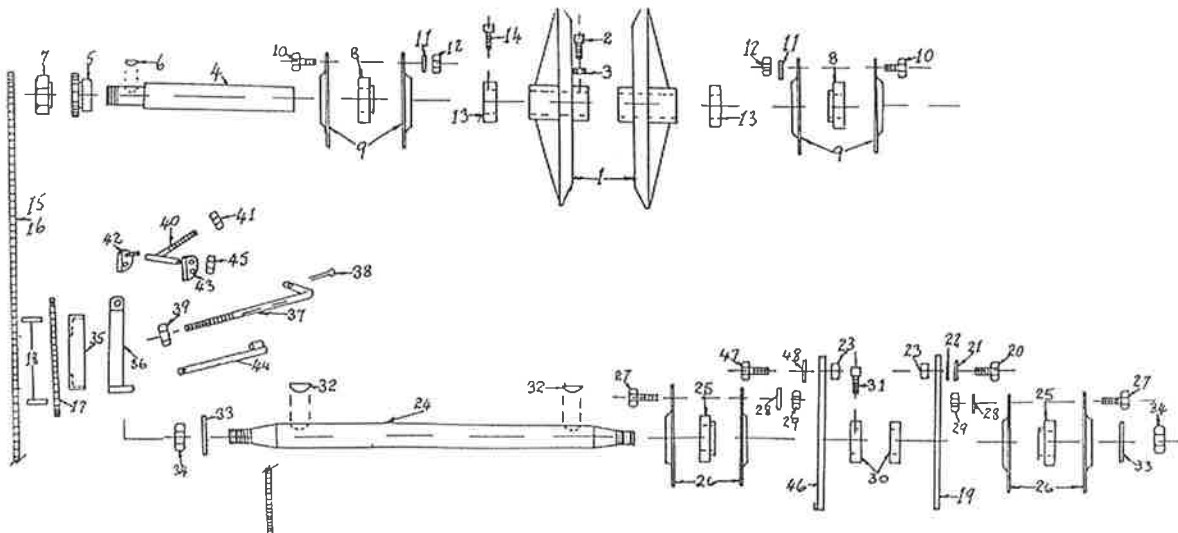
928S2/K1 GROUP 18: REAR WHEEL COMPONENTS

Ref. No.	Part No.	Description
1	TY400x8	Rear Wheel Tyre Standard (2) NLA
	TT650x8	Rear Wheel Tyre Wide (2)
2	STU400x8	Rear Wheel Tube Standard (2) NLA
	STU650x8	Rear Wheel Tube Wide (2)
3	091801	Rear Wheel Hub (2) NLA
4	S091802	Rear Wheel Rim Standard (2) NLA
	S091803	Rear Wheel Rim Wide (2) NLA USE AM194
5	B0628C	Rear Wheel Bolt (12) NLA
6	N06C	Rear Wheel Bolt Nut (12)



928S2 GROUP 19: DRIVE COMPONENTS

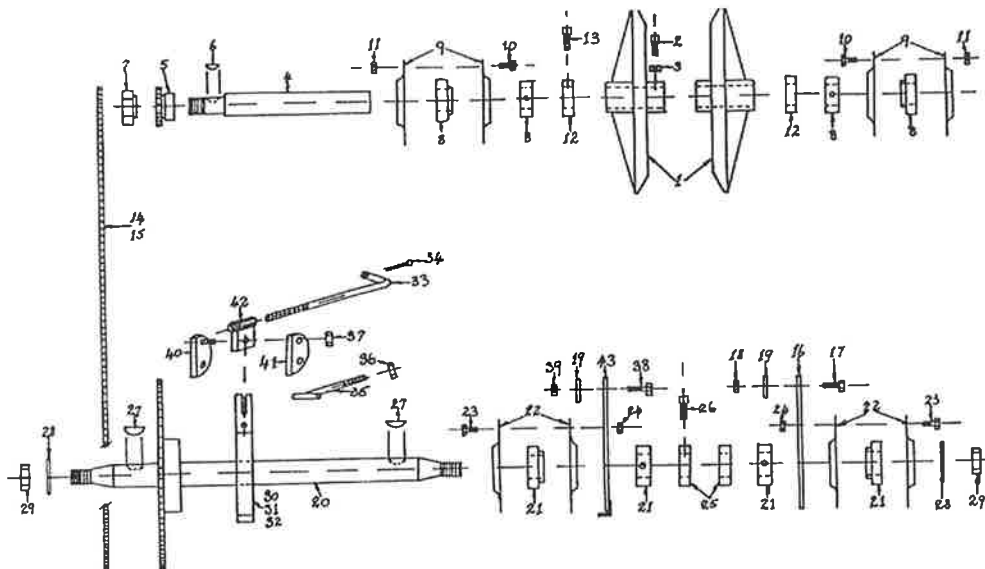
Ref. No.	Part No.	Description
1	AM197	Clutch Plate (2)
2	SS0612W	Clutch Plate Set Screw (4)
3	N06C	Clutch Plate Set Screw Nut (4) No Longer Required
4	SAM071E95	Intershaft
5	SKIT30	Intershaft Sprocket & Key
6	SK03	Intershaft Sprocket Key
7	SAM022	Intershaft Sprocket Nut
8	BB25SAN	Intershaft Bearing (2)
9	AM024	Intershaft Bearing Flange (4)
10	B0612C	Intershaft Bearing Flange Bolt (6)
11	W06S	Intershaft Bearing Flange Shakeproof Washer (6)
12	N06CN	Intershaft Bearing Flange Nut (6)
13	AM025	Intershaft Lock Collar (2)
14	SS0508W	Intershaft Lock Collar Set Screw (2)
15	AM018	Drive Chain
16	SAM019	Drive Chain Connection Link
17	931	Large Sprocket NLA
18	932	Large Sprocket Spacer (6) NLA
19	933	Rear Axle Bracket R/H NLA
20	B0612C	Rear Axle Bracket Bolt (2)
21	W06S	Rear Axle Bracket Bolt Shakeproof Washer (2)
22	W061216	Rear Axle Bracket Bolt Flat Washer (2)
23	936	Rear Axle Bracket Bolt Plate (2) NLA
24	937M	Rear Axle NLA
25	BB25SAN	Rear Axle Bearing (2)
26	AM024	Rear Axle Bearing Flange (4)
27	B0612C	Rear Axle Bearing Bolt (6)
28	W06S	Rear Axle Baring Flange Bolt Shakeproof Washer (6)
29	N06CN	Rear Axle Bearing Flange Nut (6)
30	AM025	Rear Axle Lock Collar (2)
31	SS0508W	Rear Axle Lock Collar Set Screw (2)
32	K18	Rear Axle Key (2)
33	W102016	Rear Axle Shakeproof Washer (2)
34	N10F	Rear Axle Nut (2)
35	1080	Brake Drum NLA
36	1083	Brake Drum Band NLA
	1084	Brake Drum Band Lining NLA
	PR0207	Brake Drum Rivet (6)
37	1086	Brake Drum Pull Rod Long NLA
38	CP3-220	Brake Drum Pull Rod Long Split Pin
39	N06C	Pull Rod Long Adjusting Nut (2)
40	1089	Pull Rod Short NLA
41	N05CN	Pull Rod Adjusting Nut (2)
42	1091L	Pull Rod Pivot Plate L/H NLA
43	1091R	Pull Rod Pivot Plate R/H NLA
44	1092	Pivot Plate Adjuster NLA
45	N05CN	Pivot Plate Adjusting Nut
46	1094	Brake Drum Anchor Bracket NLA
47	B0616C	Anchor Bracket Bolt (2)
48	W06S	Anchor Bracket Shakeproof Washer (2)



928S2/K1 GROUP 19: DRIVE COMPONENTS

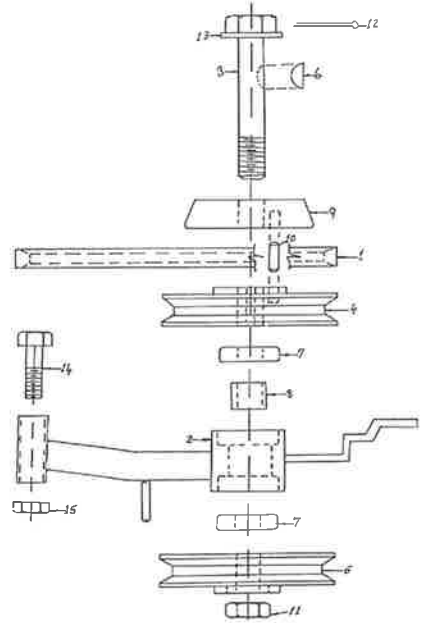
Ref. No.	Part No.	Description
1	AM197	Clutch Plate (2)
2	SS0612W	Clutch Plate Set Screw (4)
3	N06C	Clutch Plate Set Screw Nut (4) No Longer Required
4	SAM071E95***	Intershaft
5	SKIT30	Intershaft Sprocket & Key
6	SK03	Intershaft Sprocket Key
7	SAM022	Intershaft Sprocket Nut
8	BB25SAN	Intershaft Bearing
9	AM024	Intershaft Bearing Flange (4)
10	B0612C	Intershaft Bearing Flange Bolt (6)
11	N06CN	Intershaft Bearing Flange Nut (6)
12	AM025	Intershaft Lock Collar (2)
13	SS0508W	Intershaft Lock Collar Set Screw (2)
14	AM018	Drive Chain
15	SAM019	Drive Chain Connection Link
16	933	Rear Axle Mounting Bracket R/H NLA
17	B0612C	Rear Axle Bracket Bolt (2)
18	N06CN	Rear Axle Bracket Bolt Nut (2)
19	936	Rear Axle Bracket Bolt Plate (2) NLA
20	SAM198	Rear Axle including Sprocket NLA
21	BB25SAN	Rear Axle Bearing (2)
22	AM024	Rear Axle Bearing Flange (4)
23	B0612C	Rear Axle Bearing Flange Bolt (6)
24	N06CN	Rear Axle Bearing Flange Nut (6)
25	AM025	Rear Axle Lock Collar (2)
26	SS0508W	Rear Axle Lock Collar Set Screw (2)
27	K18	Rear Axle Key (2)
28	W102016	Rear Axle Washer (2)
29	N10F	Rear Axle Nut (2)
30	K1-1083	Brake Drum Band NLA
31	AM200	Brake Drum Band Lining
32	PR0207	Brake Drum Rivet (4)
33	K1-1086	Brake Drum Pull Rod Long NLA
34	CP3-220	Brake Drum Pull Rod Long Split Pin
35	1089	Pull Rod Short NLA
36	N05CN	Pull Rod Adjusting Nut (2)
37	N05CN	Pivot Plate Adjusting Nut
38	B0616C	Drum Brake Anchor Bracket Bolt (2)
39	N06CN	Drum Brake Anchor Bracket Nut (2)
40	1091L	Drum Brake Pivot Plate L/H NLA
41	1091R	Drum Brake Pivot Plate R/H NLA
42	K1-1092	Drum Brake Long Adjuster NLA
43	K1-1094	Drum Brake Anchor Bracket NLA

*** SKIT120 Intershaft Replacement Kit



928S2 GROUP 20: CLUTCH ARM & COMPONENTS

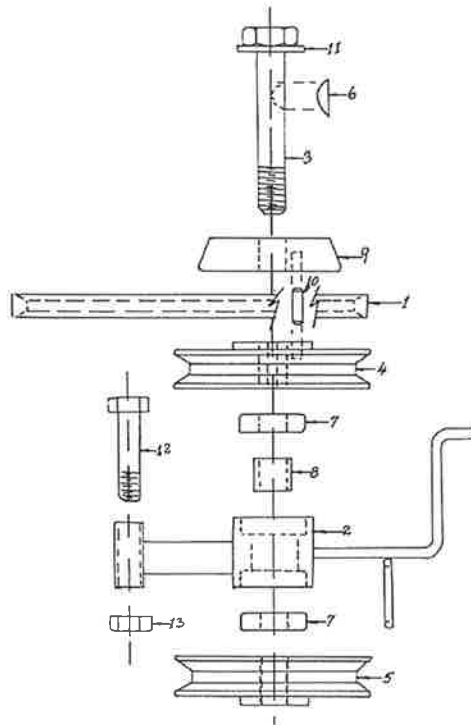
Ref. No.	Part No.	Description
1	SV14	Engine to Clutch Belt
2	879M	Clutch Arm NLA
3	880M	Clutch Shaft including Nut & Split Pin (Stepped) NLA
4	S881A	Clutch Pulley Upper (Keyed) NLA
5**	S881B	Clutch Pulley Lower (Hex Recessed) NLA
6	SK09	Clutch Pulley Key Upper
7	BB205215NS	Bearing (2)
8	AM072	Bearing Spacer
9	886E	Clutch Cone NLA USE CC2095G & SAM156
10	AM026	Clutch Cone Pin NLA
11	SNT12F	Lower Pulley Retaining Nut NLA
12	CP2-528	Clutch Cone Retaining Nut Split Pin NLA
13	W204303	Clutch Cone Retaining Nut Washer
14	B0672C	Clutch Arm Pivot Bolt
15	N06CN	Clutch Pivot Bolt Lock Nut



**** Replace with Part No 881BC Clutch Pulley Lower Threaded**

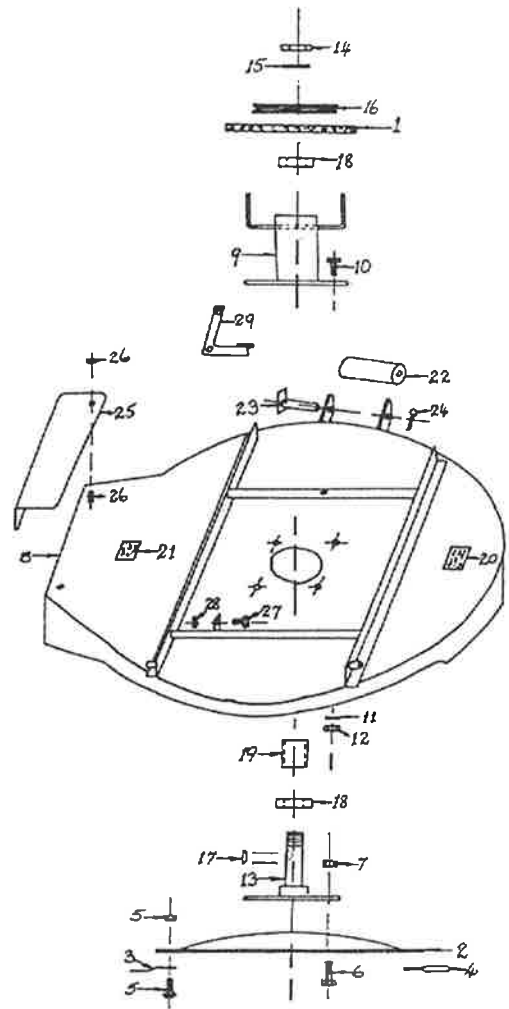
928S2/K1 GROUP 20: CLUTCH ARM & COMPONENTS

Ref. No.	Part No.	Description
1	SV14	Engine to Clutch Belt
2	SKIT22	Clutch Arm NLA
3	AM204J3	Clutch Shaft including Nut
4	AM158	Clutch Pulley Upper
5	AM205	Clutch Pulley Lower
6	SK09	Clutch Pulley Key
7	BB205215N	Clutch Bearing (2)
8	AM072	Bearing Spacer
9	CC2095G	Clutch Cone
10	AM026	Clutch Cone Pin
11	W204303	Clutch Cone Retaining Nut Washer
12	B0648C	Clutch Arm Pivot Bolt
13	N06CN	Clutch Arm Pivot Bolt Nut



928S2-928S2/K1 GROUP 21: 28" MOWING ATTACHMENT COMPONENTS

Ref. No.	Part No.	Description
1	V07	Cutter to Clutch Belt
2	AM07604A	Cutter Disc
3	SMB150S	Cutter Blades (Stepped) (2)
	SKIT32N	Heavy Duty Blades (Stepped) (4)
4	SMB150A	Cutter Blades (Fluted) (4)
	SKIT33N	Blades, Nuts & Bolt Kit
5	SKIT01D1	Cutter Blade Bolt & Nut
6	B0612C	Cutter Mounting Bolt (4)
7	N06CN	Mounting Bolt Nut (4)
8	SKIT123	Cutter Housing
9	SKIT08	Cutter Bearing Housing
10	B0616C	Bearing Housing Washer Bolt (4)
11	W0620HD	Bearing Housing Heavy Duty Washer (4)
12	N06CN	Bearing Housing Nut (4)
13	13181	Cutter Shaft 928S2K1
	1007M	Cutter Disc Shaft 928S2 NLA
	1014	Cutter Disc Flange with Boss 928S2 NLA
14	SNT12F	Cutter Shaft Nut 928S2 NLA
	NHM20X1.5T	Cutter Shaft Nut 928S2K1
15	W12S	Cutter Shaft Nut S/P Washer 928S2 NLA
	W204303	Cutter Shaft Nut Washer 928S2K1
16	S881A	Cutter Disc Pulley 928S2 NLA
	AM158	Cutter Disc Pulley 928S2K1
17	SK09	Pulley Key
18	BB205215NS	Cutter Bearing (2)
19	AM029	Bearing Spacer
20	STR09	Transfer Cutter Housing L/H NLA
21	STR10	Transfer Cutter Housing R/H NLA
22	AM036D9	Cutter Roller
23	AM037	Cutter Roller Shaft
24	CP3-220	Cutter Roller Shaft Split Pin
25	AM038	Windrower NLA USE SKIT66
26	N05CN	Windrower Nut
	B0512C	Windrower Bolt
27	B0512C	Cutter Head Brake Pivot Bolt 928S2K1
28	N05CN	Cutter Head Brake Pivot Bolt Nut 928S2K1
29	KIT15	Cutter Head Brake 928S2K1



OPERATING AND MAINTENANCE INSTRUCTIONS

IMPORTANT

For machines fitted without Micro Switches.

When starting engine do not have foot resting on clutch pedal.

For machines fitted with Micro Switches.

When starting electric start machines, place right heel on micro switch located on rear of footrest. Ensure that cutter is disengaged, otherwise electric starter motor will not engage. (Note electric start engines fitted with recoil can be manually started with cutter disengaged and ignition on.)

Keep feet clear and hands clear of mowing attachment when starting and operating machine.

Do not use mowing attachment with broken or bent blades or damaged cutter disc, otherwise damage may result from vibration. Replace blades only in pairs to maintain correct balance.

DO NOT USE WITHOUT WINDROWER

Check all bolts and nuts after first hour of running to ensure trouble-free service and adjust engine to clutch belt. (Refer instructions.)

Mount and dismount only from left hand side of machine.

Reference to left or right side of machine is determined by sitting in the operating position on the machine.

TO OPERATE

BEFORE STARTING: See engine maintenance/instruction sheet.

DISENGAGING MOWING ATTACHMENT: The disengaging lever is situated on the right hand side by the steering column. Before starting, disengage mowing attachment by pulling lever fully to the operator. For safety precautions it is advisable at all times, other than when mowing, that the mowing attachment be kept in the disengaged position.

TO DRIVE FORWARD/REVERSE: Power is regulated by the throttle. Set throttle control to desired engine power. Press down on the forward section of the clutch pedal for forward movement or on the rear section of the clutch pedal for reverse. The amount of pressure can be used to control the speed, especially in heavier conditions.

MANOEUVRING: Owing to the Clutch type action of the Friction Drive it is possible to take the machine straight forward to reverse and vice versa. This instant forward and reverse operation makes the machine very manoeuvrable and the sharpest turns can be negotiated easily and quickly.

TO BRAKE (With Engine Running): The clutch may be used to stop the Machine. If travelling forward, push the pedal into reverse until machine stops, then bring the pedal back to neutral position or vice versa if travelling in reverse.

TO BRAKE (With Engine Stopped): The parking brake must only be used. Otherwise damage to clutch cone will occur. Parking brake is also emergency 'stop' and transporting brake.

CUTTING HEIGHT ADJUSTMENT: The height adjustment lever is located on the left hand side of the machine and may be altered to suit varying conditions, while the machine is in motion.

NOTE: When mowing slopes leave the machine in forward drive when going downhill. The low gearing will prevent it from picking up excessive speed. If very steep it may be necessary to throttle back slightly. Avoid holding machine using clutch on slopes with engine running and machine stationary as damage will occur to clutch plate.

MAINTENANCE INSTRUCTIONS

It is the owners responsibility to ensure that all periodical checks, necessary adjustments and services are carried out.

Stop Engine — Never attempt any form of service or adjustment with engine running. Remove Spark Plug Lead. Make sure the blades have stopped rotating before carrying out any adjustment.

- 1. Oil Changing (Engine):** See engine maintenance/instructions sheet and carry out as per engine manufacturers recommendations.

2. **Lubrication:** Lubrication of machine should be carried out also after every 25 hours of operation.
- A: Oiling:** A few drops of oil should be placed at the following points: Steering, Linkages, Steering Column Shaft (top and bottom), Height Adjustment Mechanism, Pivot Bolt at front end of Drive Cone Arm, Drive Engaging Lever Linkages.
- B: Chain:** Use chain lube only for lubricating both steering and drive chains. Do not use oil, except when storing unit, as oil collects dust forming an abrasive compound.
- C: Grease Points (front):** Grease nipples are located on the front stub axle kingpin bushes. **IMPORTANT** grease regularly with Ampol MP red grease.
- Do not allow grease or oil to come into contact with the Drive Cone Lining or the Clutch Discs. Should this occur clean off immediately with petrol.
3. **To Check Blades:** With engine stopped lift machine and rest right front and rear wheel on a block approximately 15-20cm (6"-8") high. Remove windrower and put height adjustment control to highest position. It will now be quite simple to remove the blade bolt and nut using a suitable spanner and replace the worn blades. Revolve blade disc one half turn to remove opposite blade.
4. **Engine V Belt Adjustment:** Loosen the four engine mounting bolts. Move engine forward and adjust belt to correct tension. Re-tighten bolts.
5. **To Fit New Engine V Belt:** Loosen the four engine mounting bolts and move engine back, then remove clutch pivot bolt. Replace belt and re-fit pivot bolt, re-tension belt and tighten the four engine mounting bolts.
6. Mowing attachment vee belt is self adjusting provided disengagement rod adjustments are carried out when necessary.
7. **To Replace Cutter Head Belt:** Disengage cutter assembly. Belt can now be removed and replaced. **Remember** adjustment will have to be made after a period of time to the dis-engagement link arm and the nyloc nut on the rear lifting link to keep the mower level with the ground as when the belt stretches or wears this is necessary to keep it level for smooth lawns.
8. **To Adjust the Clutch Discs to Drive Cone Lining:** Periodically it will be found necessary to adjust the Clutch Discs as the Cone Lining wears. To carry out this operation, first loosen the lock nuts and set screws holding the Discs in position, and move the disc along the shaft until approximately 0.8mm (1/32") from the Drive Cone Lining (a steel ruler is an ideal thickness for this check). Then tighten the set screws and lock nuts. **MAKE SURE BOTH DISCS ARE MOVED AN EQUAL AMOUNT TO KEEP THE OPERATING PEDAL IN THE CORRECT POSITION.**
9. **To Adjust Drive Chain:** Lift rear end of Tractor and place bricks or timber blocks under the draw bar bracket so that rear wheels are both about 25mm (1") clear of the ground. Loosen brake pullrod nut a few turns and the wheel brackets where they attach to the body. Adjust down and backwards until chain is tight. Make sure back axle is parallel to the back of the machine, re-tighten the holding bolts and adjust brake.
10. **To Adjust Steering Chain:** Loosen bolt holding the adjuster and support bracket. Push bracket in tight on chain being careful that quadrant portion presses on the chain rollers. Re-tighten bolt and test steering.
11. **To Replace Clutch Cone:** This is an expendable item and although it lasts a long time it may eventually be found necessary to replace. With tube spanner supplied undo lock nuts and set screws on clutch plates and move outwards. Remove split pin. Undo Clutch Cone centre nut and prize off the Clutch Cone. Replace with new one and re-assemble making sure all bolts and lock nuts are tight, renew split pin.
12. When using Rotary Hoe, remove Mower before fitting Hoe or other accessories. Lubricate Hoe parts as per instructions supplied.
13. To remove mowing attachment to use other implements disengage mowing attachment and remove R pins from front and rear lifting links and disengagement push rod. Remove cutter belt and slowly release disengagement lever. Draw rear link from hole in cutter and remove front hinge pin. Slide disengagement push rod from front lifting assembly. Tilt machine toward left hand side and slide mowing attachment from under machine. To refit; reverse the above procedure.
14. **Tyre Pressures:** 15 PSI approximately front and rear. (Uneven pressures can give an uneven finish when mowing and may cause damage to tyres and tubes.)
15. **Battery Maintenance:** Maintain electrolyte fluid level just above plates by topping regularly with distilled water.
16. **Genuine Spare Parts:** Always use genuine 'Cox' Factory made spare parts. Use of non-genuine 'Cox' spares will void your warranty.