



**12HP**  
**1994 - 1995**  
**09I3 – 09E94**  
**09K94**

## **TO OPERATE**

---

**BEFORE STARTING:** See Engine Maintenance/Instruction Sheet.

**DISENGAGING MOWING ATTACHMENT:** The Disengaging lever is situated on the right hand side by the steering column. Before starting, disengage mowing attachment by pulling lever fully to the operator. For safety it is advisable at all times, other than when mowing, that the mowing attachment be kept in the disengaged position.

**TO DRIVE FORWARD/REVERSE:** Power is regulated by the throttle. Set throttle control to desired engine power. Press down on the forward section of the clutch pedal for forward movement, on the rear of the clutch pedal for reverse. The amount of pressure can be used to control the ground speed, especially in heavier conditions.

**MANOEUVRING:** Owing to the heel and toe type action of the drive pedal, it is possible to take the machine straight from forward to reverse and vice versa. This instant forward and reverse operation makes the machine very manoeuvrable and the sharpest turns can be negotiated easily and quickly.

**TO BRAKE (WITH ENGINE RUNNING):** The clutch may be used to stop the machine. If travelling forward push the pedal into reverse until machine stops, then bring the pedal back to neutral position or vice versa if travelling in reverse. Should a failure occur during operation use the emergency stop brake pedal situated on the left hand side and forward of where your foot would normally rest during normal operation.

**TO BRAKE (WITH ENGINE STOPPED):** Use the emergency brake only. Damage to clutch cone will occur if clutch pedal is used to brake the machine with the engine stationary.

**PARKING AND TRANSPORTATION BRAKE:** Depress the lever protruding out of the left hand mudguard downward and shift the lever to the left to engage the brake. Depress and shift to the right to release.

**DO NOT ATTEMPT TO ENGAGE THE PARKING BRAKE UNLESS THE MACHINE IS STATIONARY.**

**CUTTING HEIGHT ADJUSTMENT:** The height adjustment lever is located on the left hand side of the machine and may be altered to suit varying conditions, while the machine is in motion.

**NOTE:** When mowing slopes, leave machine in forward drive when going down hill. The low gearing will prevent it from picking up excessive speed. If very steep it may be necessary to throttle back slightly. Avoid holding machine on slopes using clutch with engine running and machine stationary as damage will occur to clutch plates.

# MAINTENANCE INSTRUCTIONS

---

IT IS THE OWNERS RESPONSIBILITY TO ENSURE THAT ALL PERIODICAL CHECKS, NECESSARY ADJUSTMENTS AND SERVICES ARE CARRIED OUT.

STOP ENGINE - NEVER ATTEMPT ANY FORM OF SERVICE OR ADJUSTMENT WITH ENGINE RUNNING, REMOVE SPARK PLUG LEAD. MAKE SURE THE BLADES HAVE STOPPED ROTATING BEFORE CARRYING OUT ANY ADJUSTMENT.

1. **OIL CHANGING (ENGINE):** See Engine Maintenance/Instructions Sheet and carry out as per Engine Manufacturers Recommendation.

2. **LUBRICATION OF MACHINE:** Lubrication of machine should be carried out every 25 hours of operation or once a month, whichever falls due first. Service engine and lubricate machine more frequently under adverse conditions.

A. **OILING:** A few drops of oil should be placed at the following points:- steering column shaft (top and bottom), steering linkage, disengaging linkages, height adjustment mechanism, pivot bolt and linkages on clutch arm and clutch pedal.

B. **CHAIN:** Use only chain lube for lubrication the drive and steering chains.

C. **GREASE POINTS:** Grease nipples are located on the front wheel stub axle bushes.

UNDER NO CIRCUMSTANCES ALLOW GREASE OR OIL TO COME INTO CONTACT WITH THE CLUTCH CONE OR THE CLUTCH PLATE. SHOULD THIS OCCUR, CLEAN OFF IMMEDIATELY WITH PETROL WHILST SURFACES ARE COOL AND ALLOW TO DRY BEFORE USE.

3. **TO CHECK BLADES:** Stop engine. Remove spark plug lead. Lift windrower and height adjustment control to highest position. If necessary simply remove the blade bolt and nut using a suitable spanner and replace worn parts.

4. **CUTTER TO CLUTCH VEE BELT:** Tension is automatically adjusted by the belt tensioning springs. However, as the belt stretches it will be necessary to lower the rear of the cutter housing by loosening the rear lifting link nut to level the cutter housing and vice versa when a new belt is fitted. Check belt tension and level cutter at machine service period (every 25hrs or more frequently is required).

5. **ENGINE TO CLUTCH VEE BELT ADJUSTMENT:** Loosen the four engine mounting bolts. Move engine forward and adjust belt firmly. Do not over tension. While maintaining tension on the engine re-tighten bolts. Check belt tension at machine service period (25hrs) or more frequently under heavy mowing conditions.

**6. DISENGAGING ADJUSTMENT:** With mowing attachment in middle cut position, and the disengagement handle in the engaged position, the handle should be approximately parallel to footrest angle or rests on chassis stop. Due to normal wear in cutter to clutch vee belt, clearance will reduce. When clearance is reduced to zero, adjustment will be necessary to the disengagement adjuster and cutter head brake assembly. With the disengagement handle in the engaged position and mowing attachment in middle cut, remove 'R' pin and washer from disengagement adjuster, pull out adjuster from mounting pin. Hold handle parallel to footrest (or against stop). Screw adjuster in or out so that when installed mounting pin is positioned in the centre of the slot. Replace adjuster, washer and 'R' pin.

**7. CUTTER BRAKE ASSEMBLY ADJUSTMENT:** With disengagement handle in engaged position and mowing attachment in middle cut, normal clearance between cutter head pulley and cutter head brake pad is approximately 3mm (1/8"). To adjust clearance, remove 'R' pin from brake pull rod, adjust to give required clearance, replace brake pull rod and 'R' pin. Check operation after adjustment.

**8. CLUTCH PLATE ADJUSTMENT:** Periodically it will be found necessary to adjust the clutch plates as the clutch cone wears. Carry out this operation, with engine off and cutter in the engaged position, first loosen the lock nuts and set screws holding the plates in position. Position the clutch cone assembly into centre position. Slide the reverse (LH) clutch plate over to touch the clutch cone and tighten the set screws. Move the forward (RH) plate until approximately .8mm (1/32") from the clutch cone. Tighten the set screws and lock nuts.

**9. DRIVE CHAIN:** Adjustment is not necessary as there is an automatic adjuster fitted. Replace chain when chain has sagged enough to expose half the depth of the teeth on the bottom of the large sprocket. Failure to replace worn chain will cause premature wear of sprockets.

**10. TO ADJUST STEERING CHAIN:** Adjust chain by loosening the four bolts which hold the steering idler shaft mounting brackets (AM255) in position, slide forward to tension chain then retighten bolts.

**11. TO REMOVE MOWING ATTACHMENT:** Remove weight compensating spring. Remove 'R' pins from front pivot rod, rear lifting link and cutter brake adjusting rod. Remove rear lifting link from mowing attachment and cutter brake rod from chassis, raising mowing attachment to mid-height position, disengage mowing attachment, remove belt, remove pivot rod. Tilt machine toward left hand side and slide attachment from under machine. To refit, reverse the above.

**12. TYRE PRESSURE:** 140 Kpa (20.P.S.I.) approximately front and rear. Uneven pressure can give an uneven finish when mowing and may cause damage to tyres and/or tubes.

**13. BATTERY MAINTENANCE:** Maintain electrolyte fluid level just above plates by topping regularly with distilled water. When not in use, a battery discharges by as much as 1% a day, more when the climate is warm. To make up for this loss, a boosting charge should be given once a month. Disconnect battery terminals to charge, then allow to stand minimum 1/2hr before re-connecting (re-check electrolyte level). If a battery is not used for a period of more than three (3) months, the terminals should be disconnected and trickle charge at two (2) amps for two (2) hours once every three (3) months or before use.

**14. SEAT ADJUSTMENT:** Loosen four seat mounting bolts and slide seat into desired position in slots and re-tighten bolts.

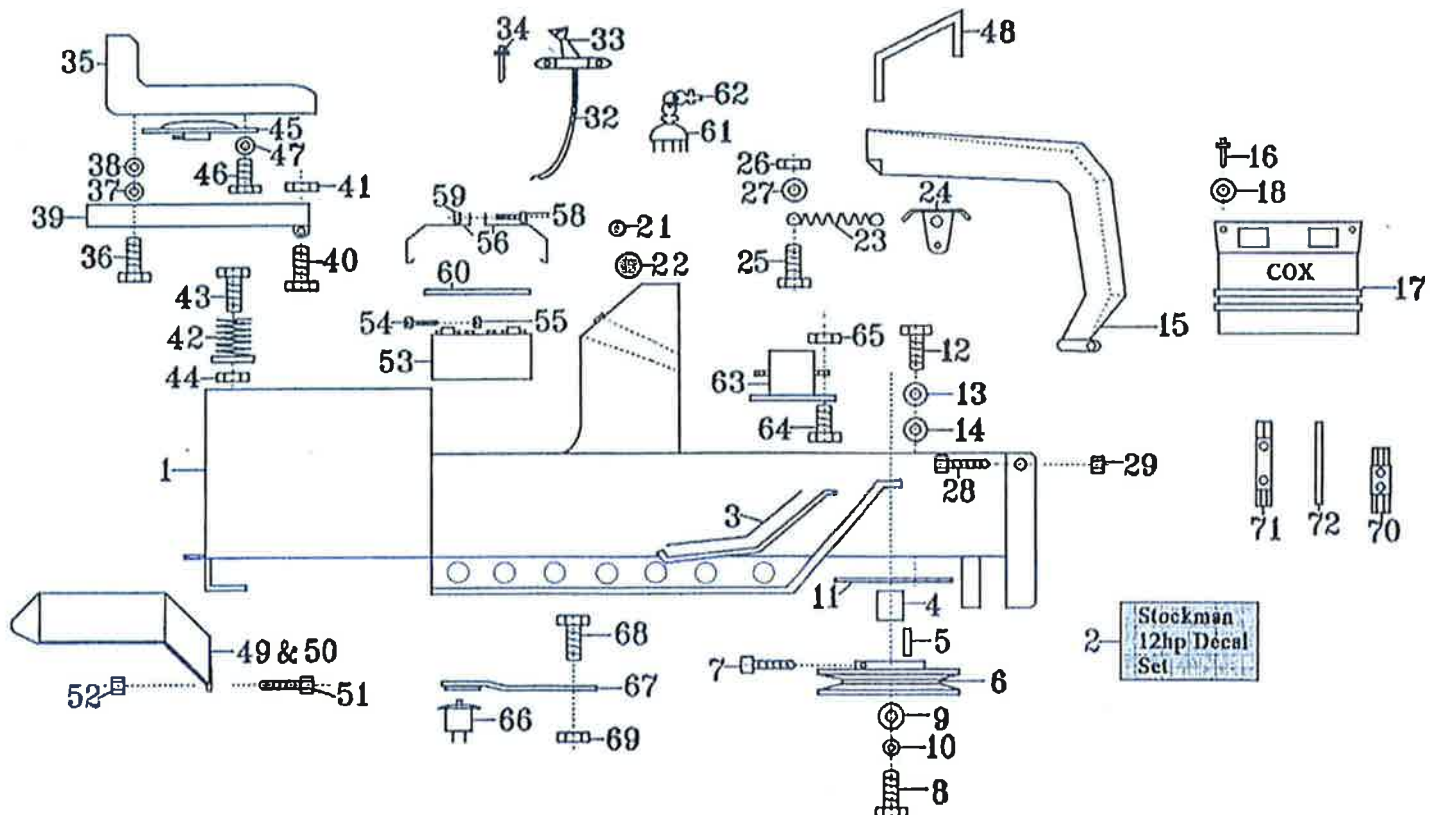
**15. GENUINE SPARE PARTS:** Always use Genuine Cox Factory Made Spare Parts. Use of non genuine COX spares will void your warranty.

**16. SAFETY FIRST:** The use of any mechanical appliance can cause injury if incorrect procedures are used. Please ensure that all family members of intended operators read thoroughly the COX CARE AND SAFETY TIP booklet enclosed with your operator instructions.

We are proud that you have purchased a Cox product and urge you to follow these instructions to obtain the maximum life from your machine. If in doubt check with your Supplier.

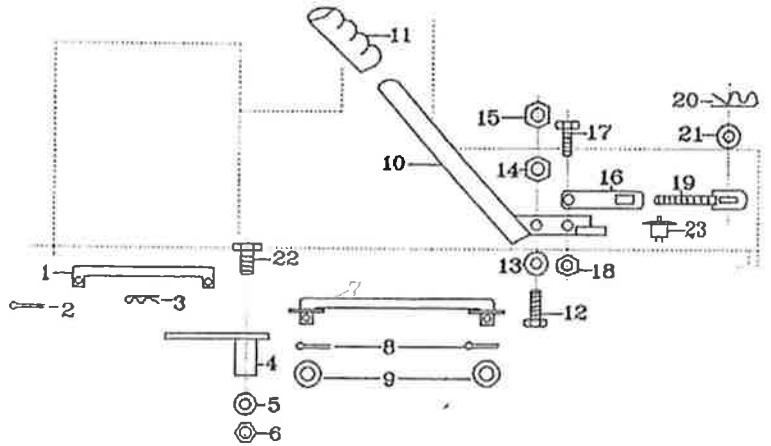
# STOCKMAN 09I3-09E94-09K94 GROUP 11: CHASSIS & COMPONENTS

Ref No.	Part No.	Description	Ref No.	Part No.	Description
1	S091101J1	Chassis <b>NLA</b>	39	AM226B99F99F	Seat Mount
2	SDEC09I312-0	Stockman 12HP Decal Set <b>NLA</b>	40	SH0516C	Seat Mount Hinge Bolt (2)
3	NSM01	Non-Skid Material-Clutch Pedal	41	N05CN	Hinge Bolt Nut (2)
4	AM233	Engine Pulley Spacer	42	AM177	Seat Spring (2)
5	AM175	Engine Pulley Key	43	SH0612C	Seat Spring Ret. Bolt (2)
6	AM234	Eng Pulley <b>NLA USE KIT204</b>	44	N06CN	Ret. Bolt Nut (2)
7	GS0505C	Engine Pulley Key Screw	45	AM165	Seat Micro Switch <b>NLA</b>
8	SH0720F	Engine Pulley Retaining Bolt	46	SR0408W	Seat Micro Attach Bolt (2)
9	W072004	Pulley Ret. Bolt Washer	47	W04S	Seat Micro Attach Washer (2)
10	W07S	Ret. Bolt Shakeproof Washer	48	AM179	Bonnet Trim
11	AM078B0	Engine Mtg Bolt Plate (2)	49	AM302	Mudguard LH <b>NLA</b>
12	B0524C	Engine Mounting Bolt (4)	50	AM303	Mudguard RH
13	WS050216	Eng. Mtg. Spring Washer (4)	51	SH0412C	Mudguard Ret. Bolt (4)
14	W051216	Engine Mtg. Bolt Washer (4)	52	N04CN	Mudguard Ret. Bolt Nut (4)
15	AM235H3B	Bonnet <b>NLA</b>	53		Battery
16	PR0207	Bonnet Grill Rivet (4)	54	SH0412C	Terminal Bolt (2)
17	AM224F3NL	Bonnet Grill (No Lights)	55	N04C	Terminal Bolt Nut (2)
18	W020516	Bonnet Grill Rivet Washer (4)	56	AM300	Battery Clamp (2)
21	091130	Dash Plug Small	58	SR0420C	Battery Clamp Screw
22	091131	Dash Plug Large	59	N04C	Clamp Screw Nut
23	AM180	Bonnet Spring (2)	60	AM098M8	Battery Cover
24	AM181	Bonnet Strap (2)	61	AM014	Ignition Switch
25	SH0408C	Bonnet Spring Bolt (2)	62	AM015	Ignition Switch Key
26	N04CN	Bonnet Spring Nut (2)	63	AM159	Solenoid
27	W040816	Bonnet Spring Washer (2)	64	SH0408C	Solenoid Mounting Bolt (2)
28	SH0412C	Bonnet Hinge Bolt (2)	65	N04CN	Solenoid Mtg. Bolt Nut (2)
29	N04CN	Bonnet Hinge Bolt Nut (2)	66	AM092	Micro Switch <b>NLA</b>
32	KIT51S2	Throttle Cable c/w Lever	67	AM100R2	Foot Micro Spring Plate <b>NLA</b>
33	AM088	Throttle Lever	68	SH0408C	Spring Plate Bolt
34	PR0306	Throttle Lever Rivet (2)	69	N04CN	Spring Plate Bolt Nut
35	AM164	Seat <b>NLA</b>	70	AM005G0	Spark Plug Spanner
36	SH0512C	Seat Retaining Bolt (4)	71	AM006C1	Tube Spanner
37	W05S	Seat Ret. S/P Washer (4)	72	AM007	Tommy Bar
38	W052003	Seat Ret. Bolt Washer (4)			



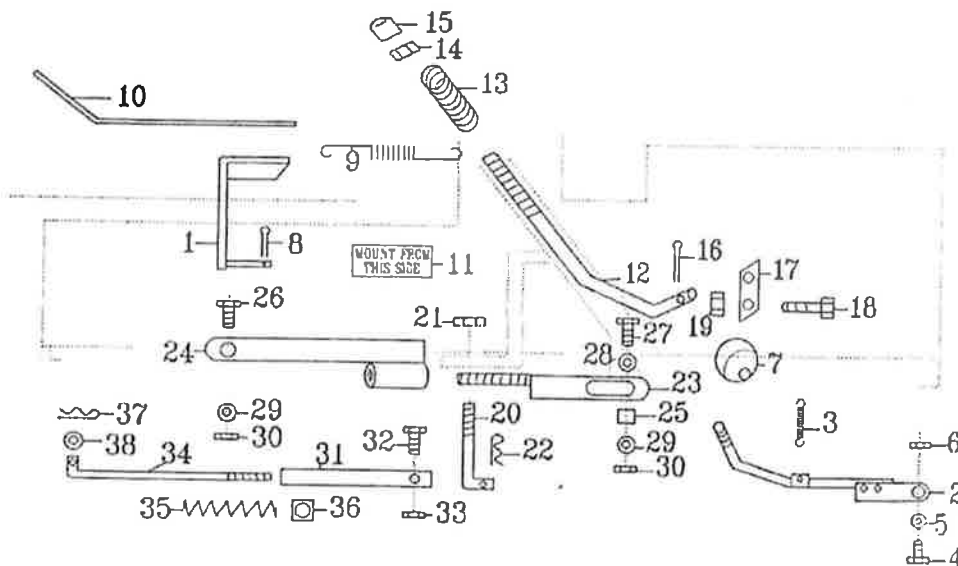
## STOCKMAN 09I3-09E94-09K94 GROUP 12: RIGHT HAND SIDE OF CHASSIS

Ref No.	Part No.	Description
1	AM238	Clutch Rod Short
2	CP3-220	Clutch Rod Short Split Pin
3	RP01	Clutch Rod Short 'R' Pin
4	AM182E94	Clutch Rod Short Pivot Plate
5	W061216	Clutch Rod Pivot Plate Washer
6	N06CN	Clutch Rod Pivot Plate Nut
7	S091202F3	Clutch Rod Long
8	CP3-220	Clutch Rod Long Split Pin (2)
9	W071416	Clutch Rod Long Washer (2)
10	AM239H0	Disengaging Handle
11	AM009	Handle Grip
12	B0625C	Disengaging Handle Pivot Bolt
13	W061214	Pivot Bolt Washer (2)
14	N06C	Diseng. Handle Pivot Bolt Nut
15	N06CN	Pivot Bolt Locknut
16	AM240	Disengaging Adjuster Bushed
17	SH0512C	Disengaging Adjuster Bolt
18	N05C	Disengaging Adjuster Bolt Nut
19	AM241	Diseng. Adjuster Threaded
20	RP01	Disengaging Adjuster 'R' Pin
21	W051216	Diseng. Adjuster Washer (2)
22	B0636C	Clutch Pivot Plate Bolt
23	AM092	Disengaging Micro Switch <b>NLA</b>



## STOCKMAN 09I3-09E94-09K94 GROUP 13: LEFT HAND SIDE OF CHASSIS

Ref No.	Part No.	Description	Ref No.	Part No.	Description
1	AM285	Brake Pedal	20	AM185B0	Cutter Housing Lifting Link
	NSM02	Brake Pedal Non-Skid Material	21	N06CN	Cutter Lifting Link Nut
2	AM284G05	Hand Park Brake	22	RP02	Cutter Lifting Link 'R' Pin
3	AM288	Hand Brake Spring	23	AM267	Front-Rear Conn. Rod Thread
4	B0624C	Hand Park Brake Bolt	24	AM268	Front-Rear Conn. Rod Bushed
5	W061216	Hand Park Brake Washer	25	AM249	Connecting Rod Bush
6	N06CN	Hand Park Brake Nut	26	SH0616C	Front-Rear Conn. Rod Bolt F
7	AM290	Hand Brake Knob	27	B0620C	Front-Rear Conn. Rod Bolt R
8	CP3-220	Brake Pedal Split Pin	28	W0620HD	Conn. Rod Rear Bolt Washer
9	AM183	Brake Pedal Spring	29	W061216	Conn. Rod Bolt Washer (2)
10	13094	Non Skid Material-Foot Rest (2)	30	N06CN	Connecting Rod Bolt Nut (2)
12	AM143M9	Height Adj. Pawl Push Rod	31	AM034H0	Cutter Brake Adjusting Bracket
13	AM012	Hgt. Adj. Push Rod Spring	32	SH0512C	Cutter Brake Adj. Bracket Bolt
14	N04C	Hgt. Adj. Push Rod Lock Nut	33	N05CN	Cutter Brake Adj. Brk Bolt Nut
15	AM013Q2	Hgt. Adj. Push Rod Button	34	091310	Cutter Brake Adjusting Rod
16	CP2-512	Hgt. Adj. Push Rod Split Pin	35	AM035	Cutter Brake Spring
17	AM011	Height Adjustment Pawl	36	NS05C	Cutter Brake Adj. Rod Nut
18	SH0516C	Height Adj. Pawl Pivot Bolt	37	RP01	Cutter Brake Adj. Rod 'R' Pin
19	N05CN	Height Adj. Pawl Pivot Bolt Nut	38	W051216	Cutter Brake Adj. Rod Washer



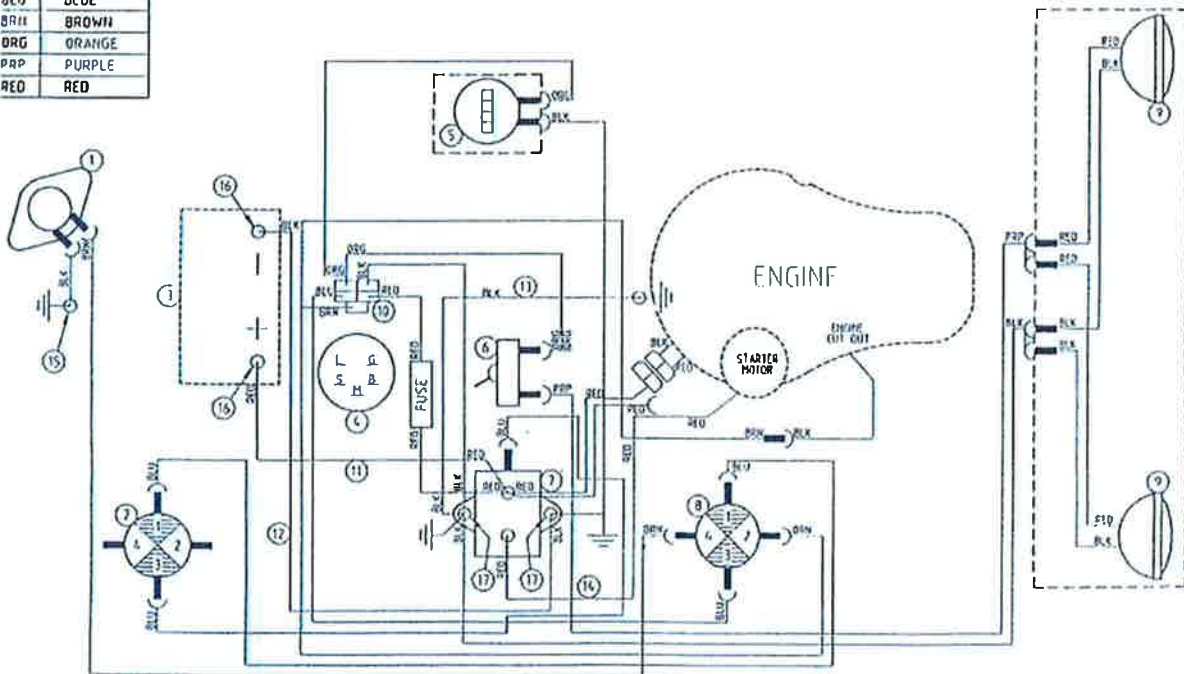
# STOCKMAN 09I3-09E94-09K94 GROUP 14: ELECTRICAL

Ref No.	Part No.	Description
1	AM165	Seat Micro NLA
2	AM092	Foot Micro NLA
3		Battery
4	AM014	Ignition Switch
	AM015	Ignition Key (2)
5	AM211	Hourmeter (Optional)
6	AM229	Light Switch (Optional)
7	AM159	Solenoid
8	AM092	Disengaging Micro NLA
9	AM228	Lamps (2) (Optional)
10	AM244N1	Wiring Loom NLA
11	13115	Lead-Battery to Solenoid (Red)
12	13117	Lead-Battery to Earth (Black)

Ref No.	Part No.	Description
	AM096	Loom Clamp (2)
	PR0308	Loom Clamp Pop Rivet (2)
	W030820	Pop Rivet Washer (2)
	SH0408C	Earth Lead Bolt (2)
	N04CN	Earth Lead Bolt Nut (2)
13	13117	Lead-Chassis-Engine (Black)
14	13115	Lead-Solenoid-Starter Motor (Red)
15	SH0412C	Seat Solenoid Earth Bolt
	N04CN	Seat Solenoid Earth Bolt Nut
16	SH0412C	Battery Terminal Bolt (2)
	N04C	Battery Terminal Bolt Nut (2)
17	SH0408C	Solenoid Mounting Bolt (2)
	N04CN	Solenoid Mtg. Bolt Nut (2)

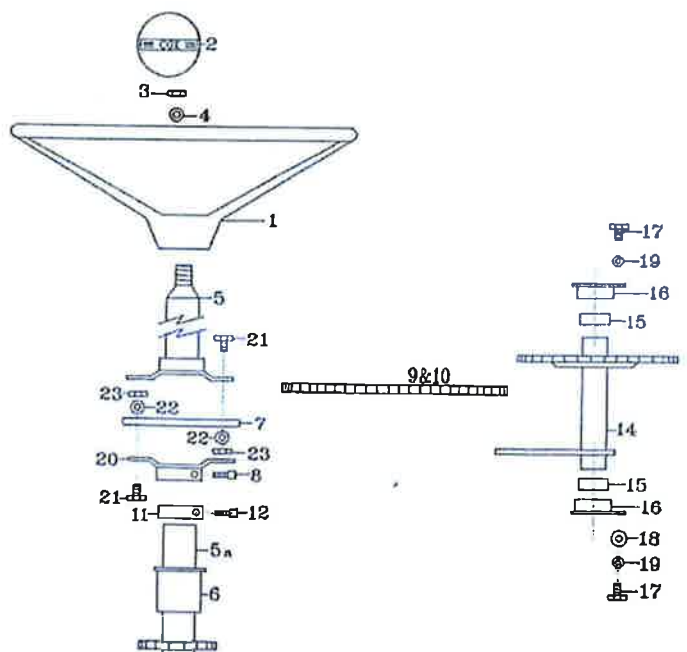
ABR.	COLOUR
BLK	BLACK
BLU	BLUE
BRO	BROWN
ORG	ORANGE
PRP	PURPLE
RED	RED

[ ] - OPTIONAL



# STOCKMAN 09I3-09E94-09K94 GROUP 15: STEERING COMPONENTS

Ref No.	Part No.	Description
1 *	AM167M8	Steering Wheel
2 *	AM225	Steering Wheel Emblem
3	N06CN	Steering Wheel Nut
4	W061216	Steering Wheel Washer
5	AM250	Steering Shaft Upper
5a	AM251G4	Steering Shaft Lower
6	AM017C1	Steering Shaft Bush (3)
7	AM25399J	Steering Shaft Universal
8	GS0404C	Steering Shaft Flange Set Screw
9	AM018	Chain Incl. Link
10	SAM019	Connecting Link
11	AM066	Steering Shaft Lock Collar
12	GS0404C	Lock Collar Set Screw
14	SAM254	Str Idler Shaft
15	AM215	Idler Shaft Mtg Bracket Bush (2)
16	AM255	Str Idler Shaft Mtg Bracket (2)
17	SH0512C	Str Idler Shaft Mtg Bracket Bolt (4)
18	W051216	Idler Shaft Mtg Bracket Washer (2)
19	W055	Idler Shaft Mtg Brk S/P Washer (4)
20	AM252	Steering Shaft Flange
21	SH0416C	Flange Mounting Bolt (4)
22	W041216	Flange Mounting Bolt Washer (4)
23	N04CN	Flange Mounting Bolt Nut (4)
*	SKIT37	Steering Wheel Incl. Emblem

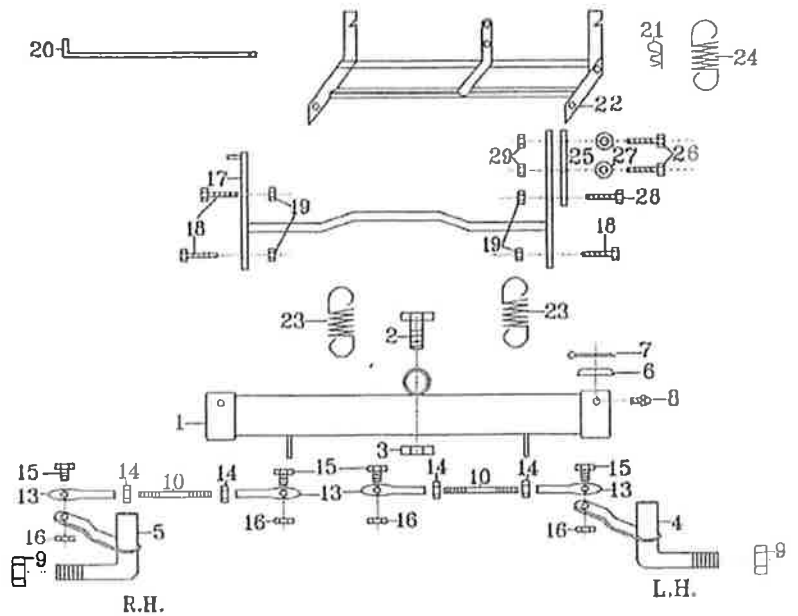




## STOCKMAN 09I3-09E94 GROUP 16: FRONT AXLE COMPONENTS

Ref No.	Part No.	Description
1	SAM190***	Front Axle Beam <b>NLA</b>
2	B1240W	Front Axle Pivot Bolt <b>NLA</b>
3	N12CN	Front Axle Pivot Bolt Nut
4	AM067	Stub Axle LH <b>NLA</b>
5	AM068	Stub Axle RH <b>NLA</b>
6	AM069	Stub Axle Dust Cap (2)
7	CP3-225	Stub Axle Split Pin (2)
8	GNTF3	Grease Nipple (2)
9	NHM20X1.5T	Front Wheel Nut (2)
10	AM256	Tie Rod (2)
13	AM020	Tie Rod End (4)
14	N06F	Tie Rod End Lock Nut (4)
15	B0620C	Tie Rod End Bolt (4)
16	N06CN	Tie Rod End Bolt Nut (4)
17	SAM192G3	Front Axle Connecting Link <b>NLA</b>
18	SH0616C	Connecting Link Bolt (3)
19	N06CN	Connecting Link Bolt Nut (4)
20	AM039S2	Cutter Housing Pivot Rod <b>NLA</b>
	13016	Cutter Pin ( <b>New Type</b> )
	NM6NT	Nut (1)
	SH0616M	Set Screw (1)
21	RP02	Cutter Housing Pivot Rod 'R' Pin
22	SKIT62R	Conn. Link Incl Bushes
	AM230	Cutter Housing Conn. Link Bushes (2)
23	AM040	Cutter Belt Tension Spring (2)
24	AM145	Weight Compensating Spring
25	AM304	Front Axle Conn Link Adjuster
26	SH0516C	Front Axle Conn Link Adjuster Bolt (2)
27	W051216	Front Axle Conn Link Adjuster Washer (2)
28	B0620C	Front Axle Conn Link Adj Pivot Bolt
29	N05CN	Front Axle Conn Link Adj. Nut (2)

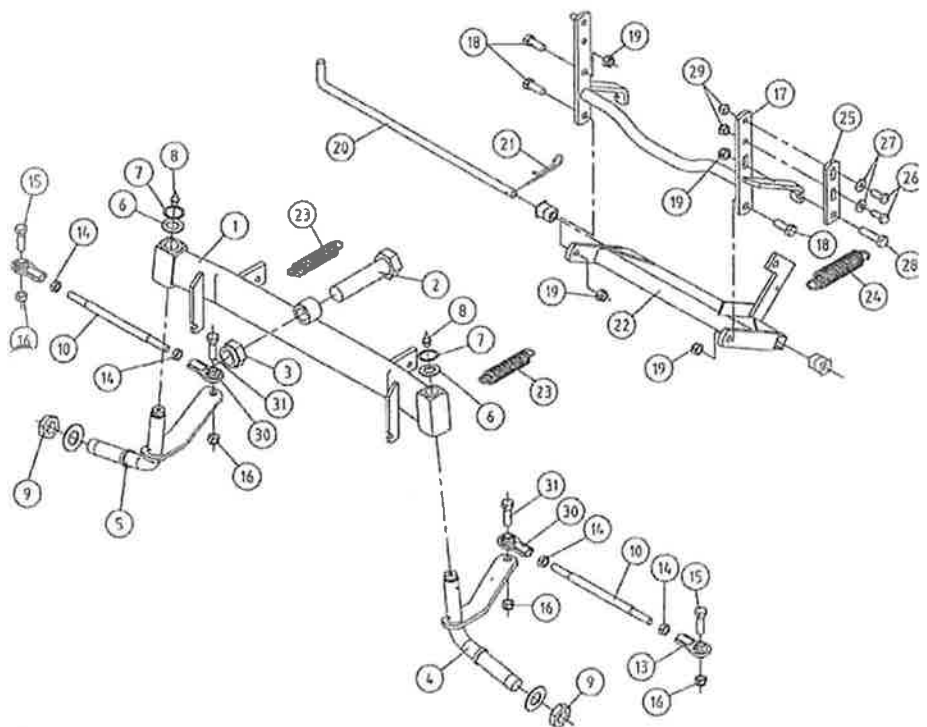
\*\*\*KIT163 UPDATE KIT



## STOCKMAN 09K94 GROUP 16: FRONT AXLE COMPONENTS

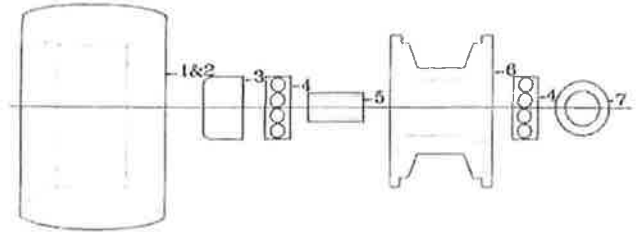
Ref No.	Part No.	Description
1	AM332	Front Axle Beam
2	B1240W	Front Axle Pivot Bolt
3	N12CN	Front Axle Pivot Bolt Nut
4*	AM333	Stub Axle LH
5**	AM334	Stub Axle RH
6*/**	AM336	Stub Axle Dust Cap (2)
7*/**	C02	Stub Axle Circlip (2)
8*/**	GNTF3	Grease Nipple (2)
	W203806	Front Wheel Spacer (2)
9	NHM20X1.5T	Front Wheel Nut (2)
10	AM256	Tie Rod (2)
13	AM020	Tie Rod End (2)
14	N06F	Lock Nut (4)
15	B0620C	Bolt (4)
16	N06CN	Bolt Nut (4)
17	AM341	Front Axle Conn Link <b>NLA</b>
		<b>USE KIT188</b>
18	SH0616C	Conn Link Bolt (3)
19	N06CN	Conn Link Bolt Nut (4)
20	AM039S2	Pivot Rod <b>NLA</b>
21	RP02	Pivot Rod 'R' Pin
22	SKIT62R	C/Hsg Con Link incl. Bushes
	AM230	Con Link Bushes (2)
23	AM040	Spring (2)
24	AM145	Wt Comp Spring
25	AM304	Front Axle Conn Link Adj
26	SH0516C	Bolt (2)
27	W051216	Washer (2)
28	B0620C	Pivot Bolt
29	N05CN	Nut (2)
30	AM337	Inner Tie Rod End (2)
31	B0624C	Inner Tie Rod Bolt (2)

\* **SKIT89** Stub Axle Left Hand  
 \*\* **SKIT90** Stub Axle Right Hand



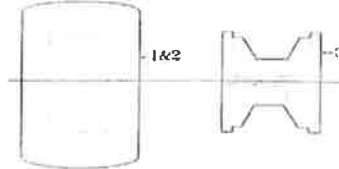
## STOCKMAN 09I3-09E94-09K94 GROUP 17: FRONT WHEEL COMPONENTS

Ref No.	Part No.	Description
1	TT500x6	Front Wheel Tyre & Tube (2)
2	STU500X6	Front Wheel Tube (2)
3	AM07099C	Front Wheel Hub Cap (2)
4	BB204212N	Bearing (4)
5	AM021	Bearing Spacer (2)
6	AM193M9	Wheel Hub (2)
7	W203902	Inner Dust Washer (2) <b>09I3-09E94</b>
	W203802	Front Wheel Spacer (2) <b>09K94</b>



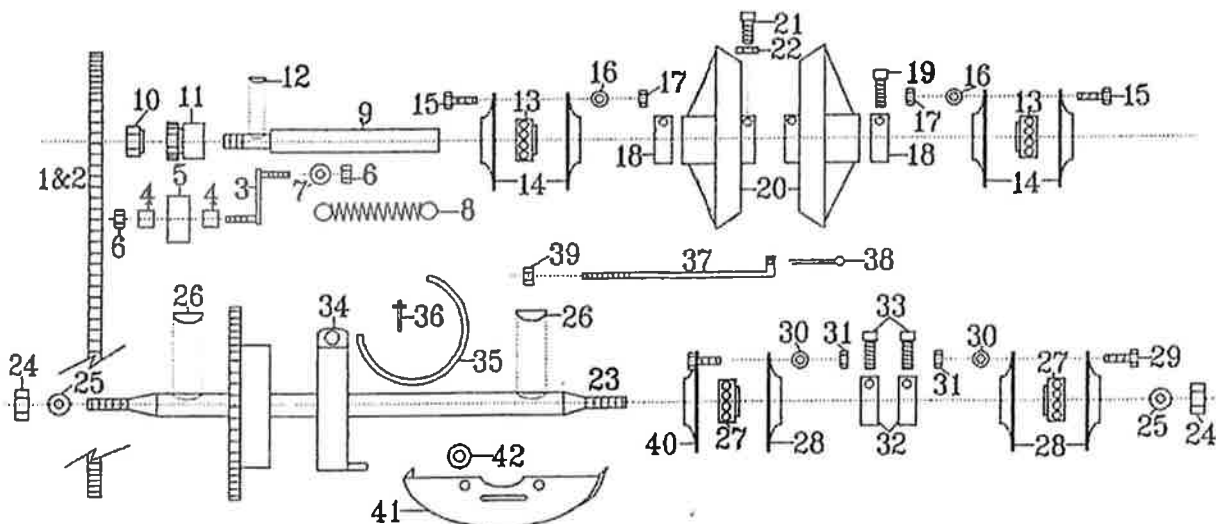
## STOCKMAN 09I3-09E94-09K94 GROUP 18: REAR WHEEL COMPONENTS

Ref No.	Part No.	Description
1	TT650x8	Rear Wheel Tyre & Tube (2)
2	STU650X8	Rear Wheel Tube (2)
3	AM194	Wheel Hub (2)



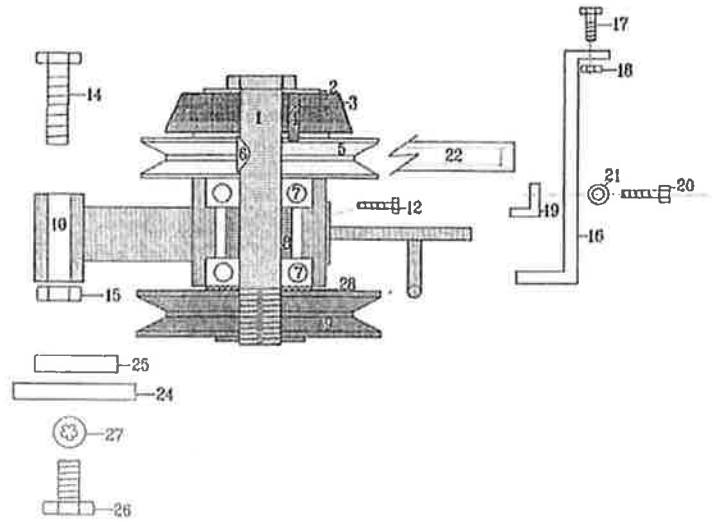
## STOCKMAN 09I3-09E94-09K94 GROUP 19: DRIVE COMPONENTS

Ref No.	Part No.	Description	Ref No.	Part No.	Description
1	AM018	Drive Chain Incl Link	24	N10F	Rear Axle Nut (2)
2	SAM019	Connecting Link	25	W102016	Rear Axle Washer (2)
3 *	SAM245	Chain Tensioner (2) <b>NLA</b>	26	K18	Rear Axle Key (2)
4	AM231	Spacer (2) <b>09I3/09E94 NLA</b>	27	BB25SAN	Rear Axle Bearing (2)
*	AM275	Spacer <b>09K94</b>	28	AM024	Rear Axle Bearing Flange (3)
5	BB256217N	Bearing (2) <b>09I93/09E94</b>	29	SH0616C	Bearing Flange Bolt (3)
*	PIFBB126598A	Bearing (2) <b>09K94</b>	30	W061216	Bearing Flange Bolt Washer (3)
6 *	N06CN	Ret. Nut (4)	31	N06CN	Bearing Flange Bolt Nut (6)
7 *	W061216	Ret. Nut Washer (6)	32	AM025	Rear Axle Lock Collar (2)
8 *	AM180	Chain Tensioning Spring	33	GS0505C	Lock Collar Set Screw (2)
9	SAM071E95	Intershaft	34	KIT16	Drum Brake Incl Lining
10	SAM022	Intershaft Nut	35	AM200	Brake Band Lining
11	SKIT30	Intershaft Sprocket & Key	36	PR0205	Brake Lining Rivet (4)
12	SK03	Intershaft Sprocket Key	37	S091908F3	Drum Brake Rod <b>09I3/09E94</b>
13	BB25SAN	Intershaft Bearing (2)		AM266	Drum Brake Rod <b>09K94</b>
14	AM024	Intershaft Bearing Flange (4)	38	CP3-220	Drum Brake Rod Split Pin
15	SH0612C	Bearing Flange Bolt (6)	39	N05CN	Drum Brake Rod Nut
16	W061216	Bearing Flange Bolt Washer (6)		W051216	Brake Drum Washer
17	N06CN	Bearing Flange Bolt Nut (6)	40	AM202	Rear Axle Bearing Flange LH
18	AM025	Intershaft Lock Collar (2)	41	AM203	Chain Guard <b>(Optional)</b>
19	GS0505C	Lock Collar Set Screw (2)	42	W061216	Guard Washer (2) <b>(Optional)</b>
20	AM197	Clutch Plate (2)		<b>SKIT119</b>	<b>REAR AXLE KIT HEAVY DUTY</b>
21	SS0612W	Clutch Plate Set Screw Set (4)	*	<b>SKIT6898A</b>	<b>Chain Adj. Duel Bearing Kit</b>
23	SAM198	Rear Axle <b>NLA USE SKIT119</b>		<b>SKIT120</b>	<b>Intershaft Replace Kit (Upgrade)</b>



## STOCKMAN 09I3-09E94-09K94 GROUP 20: CLUTCH ARM & COMPONENTS

Ref No.	Part No.	Description
1	AM204J3	Clutch Shaft Incl Nut
2	W204305	Clutch Cone Ret. Washer
3	KIT187	Clutch Cone
4	PDM0630	Clutch Cone Pin
	AM158	Clutch Pulley Upper <b>09I3</b>
5	AM326	Clutch Pulley Upper <b>09E94-09K94</b>
6	SK09	Clutch Pulley Key
7	BB205215NS	Clutch Bearing (2)
8	AM072	Clutch Bearing Spacer
9	AM205	Clutch Pulley Lower
10	AM207	Clutch Arm c/w Yoke
12	SH0512C	Clutch Arm Yoke Ret. Bolt (2)
14	B0652C	Clutch Arm Pivot Bolt
15	N06CN	Clutch Arm Pivot Bolt Nut
16	AM206	Clutch Arm Locating Bracket
17	SH0412C	Clutch Arm Loc Bracket Bolt (2)
18	N04CN	Clutch Arm Loc Bracket Bolt Nut (2)
19	AM246	Clutch Arm Bracket Wear Plate
20	SH0512C	Bracket Wear Plate Bolt (2)
21	W051216	Brkt Wear Plate Washer (2)
	W05S	Wear Plate S/P Washer (2)
22	SV14	Belt - Engine to Clutch ( <b>Model 09I3</b> )
	V15	Belt - Engine to Clutch ( <b>Model 09E94/09K4</b> )
24	AM208	Clutch Adjusting Plate
25	AM209	Clutch Adjusting Tapped Plate (2)
26	SH0616C	Adjusting Plate Bolt (2)
27	W06S	Bolt Lock Washer (2)
28	W203902	Clutch Pulley Bearing Washer



## STOCKMAN 09I3-09E94-09K94 GROUP 21: 28" MOWING ATTACHMENT COMPONENTS

Ref No.	Part No.	Description	Ref No.	Part No.	Description
1	SKIT123	Cutter Housing c/w F/Cover	24	AM030	Cutter Shaft Pulley
	AM230	Cutter Housing Bush (2)	25	W204303	Pulley Ret. Washer
2 ***	AM259	Deflector	26	NHM20x1.5T	Pulley Ret. Nut
***	AM272	Deflector Spring		WM20S	Pulley Ret. Nut Washer
3 ***	AM273	Deflector Rod	27	KIT15	Cutter Brake Incl. Pad
4 ***	AM274	Deflector Ratchet Plate	28	AM033195	Cutter Brake Pad
***	W041216	Deflector Bracket Washer	29	PR0205	Brake Pad Pop Rivet (2)
5 ***	AM052E1	Deflector Bracket	30	B0520C	Cutter Brake Pivot Bolt
6 ***	SH0412C	Deflector Bracket Bolt (2)	31	N05CN	Cutter Brake Pivot Bolt Nut
7 ***	N04CN	Deflector Bracket Bolt Nut (2)	32	AM07604A	Cutter Disc
11	AM036D9	Cutter Housing Roller	33	SH0612C	Cutter Disc Ret. Bolt (4)
12	AM037	Cutter Roller Shaft	34	N06CN	Cutter Disc Ret. Bolt Nut (4)
13	CP3-225	Cutter Roller Shaft Split Pin	35	SMB150S	Blade - Stepped
14	SKIT08	Bearing Housing		SMB150A	Blade - Air Flow ( <b>optional</b> )
15	AM073	Belt Guides (2)	37	SKIT01D1	Blade Bolt & Nut Set
16	B0416C	Belt Guide Bolt (2)	43	V07	Belt - Cutter to Clutch
17	N04CN	Belt Guide Bolt Nut (2)	45	AM220	Cutter Front Guard
18	B0620C	Cutter Brng Housing Bolt (4)	46	W051216	Cutter Guard Washer (3)
19	NF06CN	Bearing Hsng Bolt Nut (4)	47	N05CN	Cutter Guard Ret. Nut (3)
20	13181	Cutter Shaft	***	SKIT66	<b>Deflector Kit</b>
21	SK09	Cutter Shaft Key		SKIT32N	<b>Blade/Bolt/Nut Set - Stepped</b>
22	BB205215NS	Cutter Shaft Bearing (2)		SKIT33N	<b>Blade/Bolt/Nut Set - Air/Flow</b>
23	AM029	Bearing Spacer			

