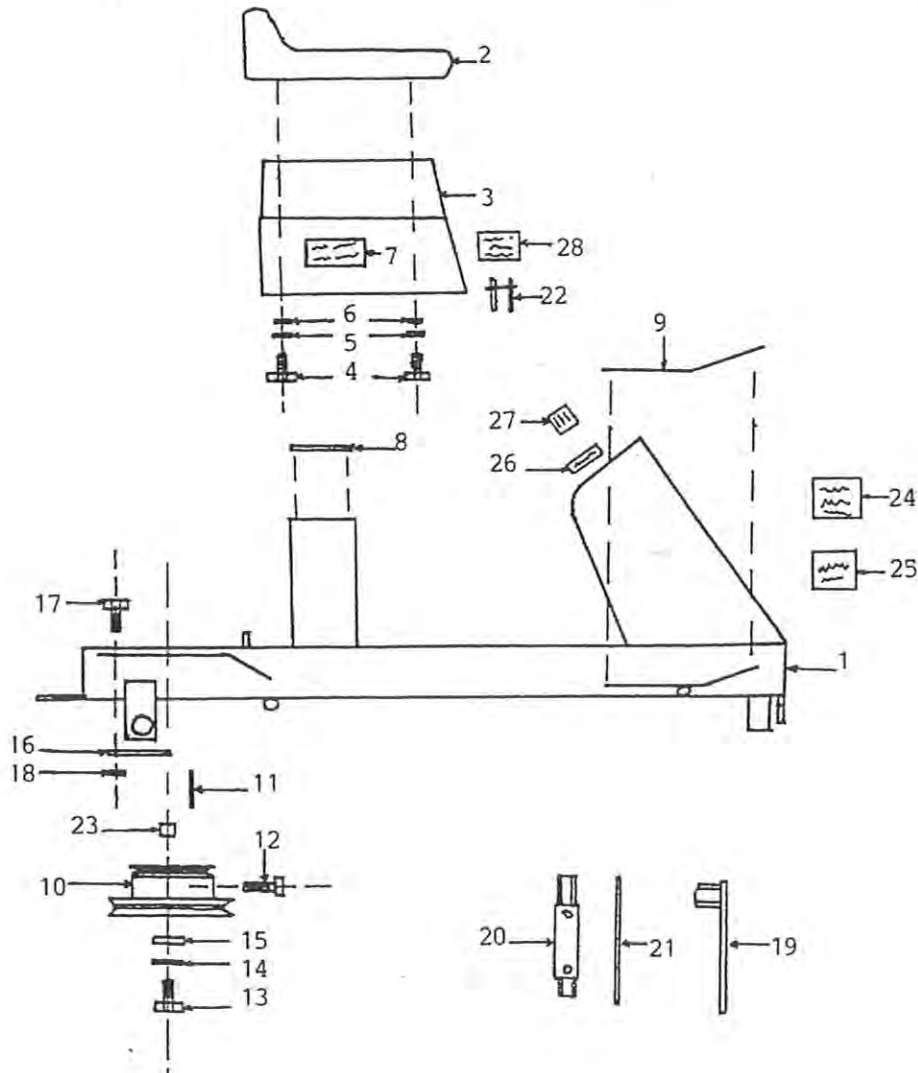


7000C-07A4-07H4-07E6 GROUP 11: CHASSIS & COMPONENTS

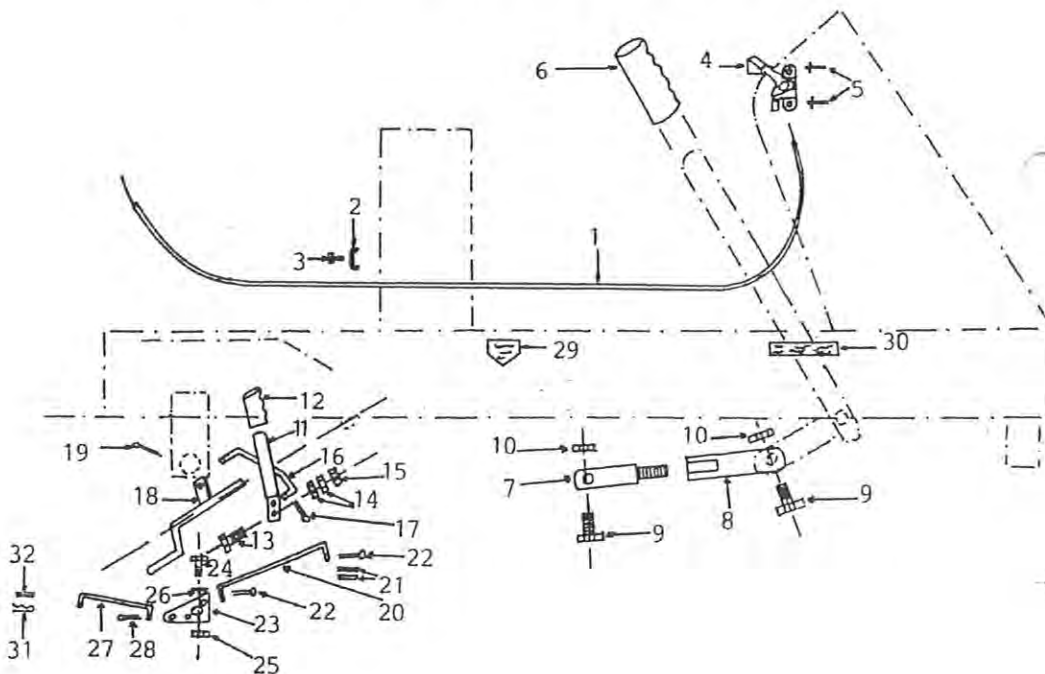
Ref No	Part No	Description	Ref No	Part No	Description
1	0711A401	Chassis 7000C 07A4 NLA		SAM097	Engine Bolt Plate (190mm) RH 07E6 (HONDA) NLA
	071101H4	Chassis 07H4 NLA		AM07880	Engine Bolt Plate (222mm) LH 07H4 (8HP) 07E6
	201101L7	Chassis 07E6 NLA			
2	AM164	Seat 07E6 NLA	17	B0524C	Mount Bolt (4) 07H4(8HP) 07E6
	AM001	Seat 7000C 07A4 07H4 NLA		B0524C	Engine Mount Bolt (2) 07E6 (HONDA)
	AM002	Seat Cushion 7000C 07A4 07H4 NLA		B0520F	Mount Bolt RH (2) 07E6 (HONDA)
	AM003	Seat Cover 7000C 07A4 07H4 NLA		W052002	Eng Mtg Bolt HD Washer (4) 7000C 07A4 07H4
	N06CN	Seat Attng Nut (3) 7000C 07A4 07H4		N05CN	Mntng Bolt Nut (4) 7000C 07A4 07H4
3	071102C6	Transmission Cover NLA	18	W05S	Mnt Bolt Washer (4) 07H4(8HP) 07E6
4	B0512C	Seat Retaining Bolt (4) 07E6	19	AM005G0	Spark Plug Spanner
5	W05S	Seat Ret Bolt Lock Washer (4) 07E6	20	AM006C1	Clutch Plate Tube Spanner
6	W051216	Seat Retaining Bolt Washer (4) 07E6	21	AM007	Tube Spanner Tommy Bar
7	TR06	Transfer-Variable Speed (2) NLA	22	PR0308	Transmission Cover Pop Rivet (4)
8	NSM01	Transmission Cover Pad NLA	23	AM117	Engine Pulley Spacer 07H4(8HP) 07E6
9	NSM01	Foot Rest Non Skid	24	STR24	Transfer - Chassis (8HP) 07E6
10	AM108	Engine Pulley Double NLA		STR25	Transfer - Chassis (8.5HP) 07E6
11	AM115	Engine Pulley Key		STR05	Transfer - Chassis (11HP) 07E6 NLA
12	GS0505C	Engine Pulley Set Screw		STR13	Transfer - Chassis (5HP) 7000C 07A4 NLA
13	SH0720F	Eng Pulley Ret Bolt 07H4(8HP) 07E6	25	STR14	Transfer Scout Logo
	SH0616F	Engine Pulley Ret Bolt 7000C 07A4	26	STR17	Transfer Throttle 07E6
14	W07S	Ret Bolt Lock Washer 07A4(8HP) 07E6	27	STR18	Transfer Starting Caution 07E6 NLA
	W06S	Ret Bolt Lock Washer 7000C 07A4	28	TR23	Transfer Manufactured in Aust. NLA
15	W072004	Ret Bolt Washer H/D 07A4(8HP) 07E6		071106A5	5HP Engine Reinforcing Plate 07H4 NLA
	W0620HD	Ret Bolt Washer H/D 7000C 07A4			
16	SAM077	Engine Bolt Plate (190mm) RH 07H4 (8HP) 07E6 (B&S) NLA			





7000C-07A4-07H4-07E6 GROUP 12: RIGHT SIDE OF CHASSIS

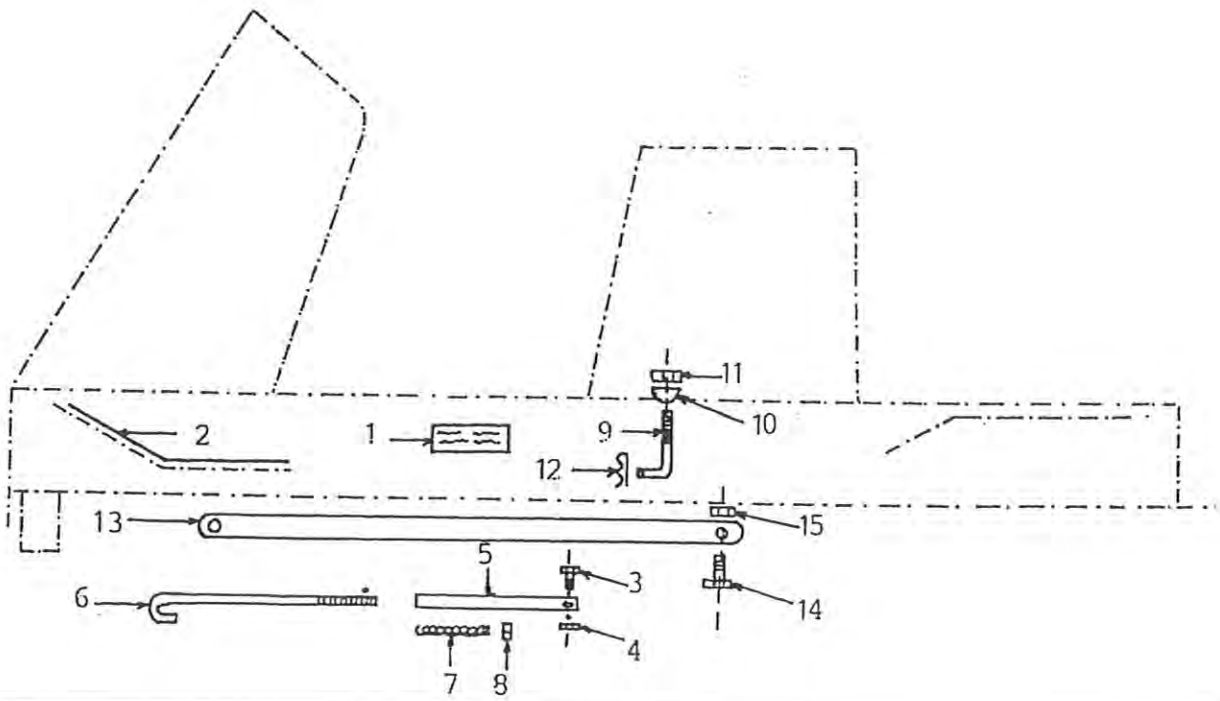
Ref. No.	Part No.	Description
1	071201	Throttle Cable B&S 7000C 07A4 NLA
	AM151	Throttle Cable Outer 07H4 07E6 NLA
	AM150	Throttle Cable Inner 07H4 07E6 NLA
	071214E6	Throttle Cable Outer 8.5HP Honda NLA
	071215E6	Throttle Cable Inner 8.5HP Honda NLA
2	AM087	Throttle Cable Chassis Clamp (2)
3	ST1010	Throttle Cable Clamp Screw (2)
4	AM088	Throttle Cable Lever
5	PR0308	Throttle Lever Pop Rivet (2)
6	AM009	Disengaging Handle Grip
7	AM010	Disengaging Adjuster Threaded NLA
8	SAM118	Disengaging Adjuster Bushed 07A4 07H4 07E6
9	B0616C	Disengaging Rod Adjusting Bolt (2)
10	N06CN	Disengaging Rod Adjusting Bolt Nut (2)
11	071205	Hand Brake Handle NLA
12	AM089	Hand Grip
13	B0524C	Hand Brake Lever Pivot Bolt
14	N05C	Pivot Bolt Nut (2)
15	N05CN	Pivot Bolt Lock Nut
16	071207	Hand Brake Actuating Rod NLA
17	CP3-220	Actuating Rod Split Pin (2)
18	AM119	Parking Brake 07H4 07E6
	071208	Parking Brake 7000C 07A4 NLA
19	CP3-220	Parking Brake Split Pin
20	SAM120	Clutch Rod Long
21	W061216	Clutch Rod Long Washer (2)
22	CP3-220	Clutch Rod Long Split Pin (2)
23	AM008	Clutch Pivot Plate NLA
24	B0620C	Clutch Pivot Plate Bolt
25	N06CN	Clutch Pivot Plate Bolt Nut
26	W061216	Pivot Plate Bolt Washer
27	AM122	Clutch Rod Short
28	CP3-220	Clutch Rod Short Split Pin
29	STR27	Transfer – Depress Switch 07E6
30	STR28	Transfer – Out Cutter In 07E6
	RP01	Clutch Rod Short 'R' Pin
32	W051216	Clutch Rod 'R' Pin Washer
	7054	Disengaging Handle 7000C NLA
	B0616C	Disengaging Handle Pivot Bolt 7000C
	N06CN	Disengaging Handle Pivot Bolt Nut 7000C
	7057	Disengaging Adjuster Tube 7000C NLA
	RP01	Disengaging Adjuster Rod 'R' Pin 7000C
	W061216	Disengaging Adjuster Rod 'R' Pin Washer 7000C





7000C-07A4-07H4-07E6 GROUP 13: LEFT SIDE OF CHASSIS

Ref. No.	Part No.	Description
1	STR08	Transfer Mounting Caution
2	NSM01	Foot Rest Non Skid
3	B0516C	Brake Adjuster Bolt
4	N05CN	Brake Adjuster Bolt Nut
5	AM034H0	Cutter Brake Adjuster Bracket 07A4 07H4 07E6
	7128	Cutter Brake Adjuster Bracket 7000C NLA
6	AM123	Cutter Brake Adjuster Rod 07A4 07H4 07E6
	7125	Cutter Brake Adjuster Rod 7000C NLA
7	AM035	Cutter Brake Adjuster Spring
8	NS05C	Cutter Brake Adjuster Rod Nut
9	AM124	Cutter Adjustment Rear Hook
10	AM125	Cutter Adjustment Rear Hook Spacer
11	N06CN	Cutter Adjustment Hook Nut
12	RP02	Cutter Adjustment Hook 'R' Pin
13	071304	Height Connecting Rod NLA
14	B0616C	Connecting Rod Bolt (2)
15	N06CN	Connecting Rod Bolt Nut (2)
	RP01	Cutter Brake Adjusting Rod 7000C

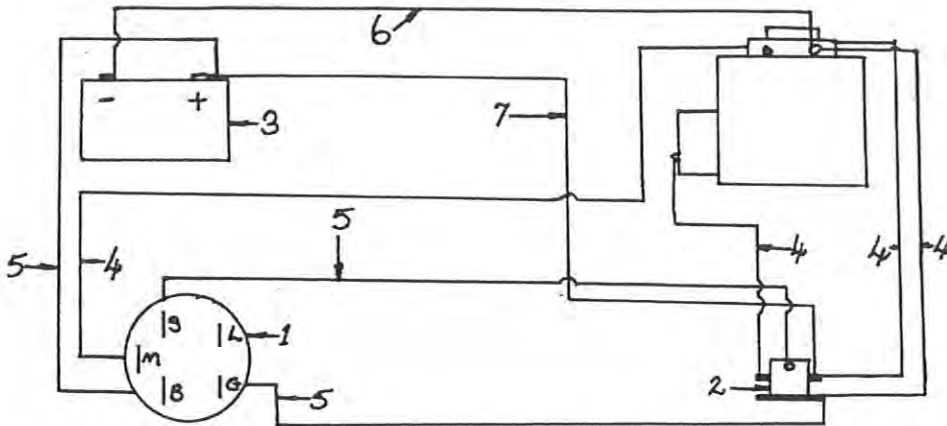




7000C 07A4 07H4 GROUP 14 : ELECTRICAL CIRCUIT (Electric Start Machines)

Ref. No.	Part No.	Description
1	AM014	Ignition Switch 07A4 07H4
	SAM015	Ignition Switch Key 07A4 07H4
	836	Starter Button 7000C NLA
2	AM159	Solenoid
	B0412C	Solenoid Mounting Bolt (2) NLA
	N04CN	Solenoid Mounting Bolt Nut (2) NLA
3	AM062	Battery NLA
	0714E403	Battery Tray NLA
	0714E404	Battery Clamp (2) NLA
	B0412C	Battery Clamp Attaching Bolt (2) NLA
	N04CN	Battery Clamp Attaching Bolt Nut (2) NLA
	SR0412W	Battery Lead Bolt (2) NLA
	N04CN	Battery Lead Bolt Nut (2) NLA
4	071405E4	Wiring Loom NLA
5	SAM128L8	Ignition Socket & Wire Set NLA
6	13116	Solenoid Mount (Earth) to Battery Negative
7	13115	Solenoid to Battery Positive

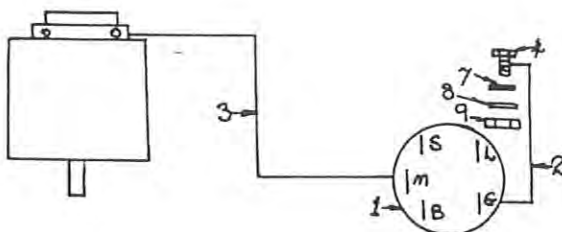
(Electric Start Machines)



07A4 07H4 GROUP 14 : ELECTRICAL CIRCUIT (Manual Start Machines)

Ref. No.	Part No.	Description
1	AM014	Ignition Switch
2	SAM129	Earth to Ignition Switch NLA
3	SAM130	Magneto to Ignition Switch NLA
4	B0412C	Earth Bolt NLA
5	W04S	Shakeproof Washer NLA
6	N04CN	Earth Bolt Nut
7	W040816	Earth Bolt Nut Washer

(Manual Start Machines)

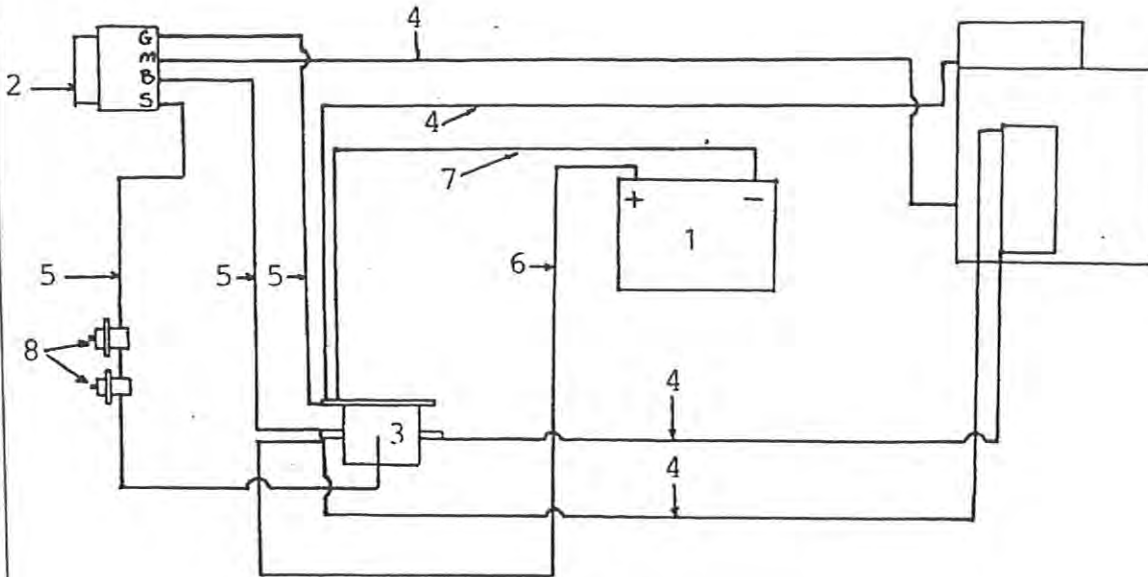


07E6 GROUP 14 : ELECTRICAL CIRCUIT

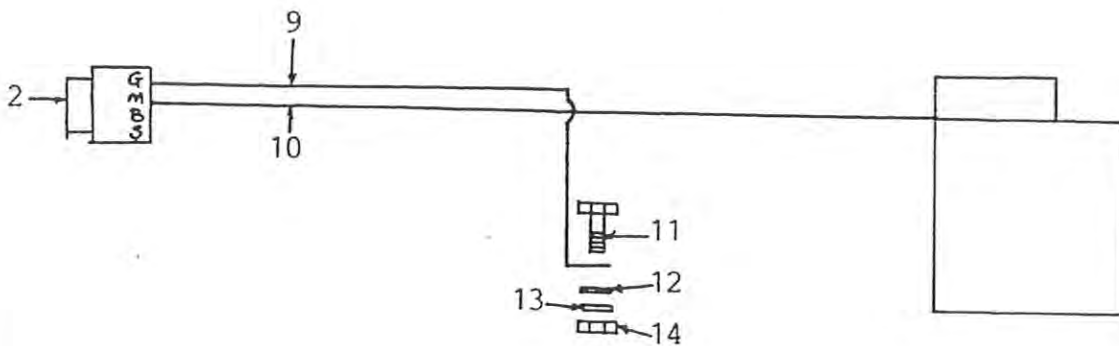
Ref. No.	Part No.	Description
1		Battery BUY LOCALLY
	B0412C	Battery Terminal Bolt (2)
	N06C	Battery Terminal Bolt Nut (2)
	AM126	Battery Clamp (2)
	SR0420C	Battery Clamp Bolt
	N04C	Battery Clamp Bolt Nut
	AM098M8	Battery Cover
2	AM014	Ignition Switch
	SAM015	Ignition Key
3	AM159	Solenoid
	B0412C	Solenoid Mounting Bolt (2)
	N04CN	Solenoid Mounting Bolt Nut (2)
4	SAM127L8	Wiring Loom NLA
	071408K6	Wiring Loom Honda NLA
5	SAM128L8	Ignition Socket & Wire Set NLA
6	13115	Lead - Solenoid to Battery Positive

Ref. No.	Part No.	Description
7	13116	Lead - Sol Mount (Earth) to Battery Neg
	AM096	Loom Clamp
	PR0308	Loom Clamp Pop Rivet
	SAM099	Front Micro Bracket NLA
	B0412C	Front Micro Bracket Bolt
	N04C	Front Micro Bracket Bolt Nut (2)
8	AM092	Micro Switch (2)
	AM100R2	Rear Micro Spring Plate NLA
	B0412C	Rear Micro Spring Plate Bolt (2) NLA
	N04CN	Rear Micro Spring Plate Bolt Nut (2) NLA
9	SAM129	Earth to Ign Switch Lead - Man Start NLA
10	SAM130	Mag to Ign Switch Lead - Man Start NLA
11	B0512C	Earth Bolt - Manual Start NLA
12	W05S	Earth Bolt Lock Washer - Manual Start NLA
13	W051216	Earth Bolt Washer - Manual Start
14	N05CN	Earth Bolt Nut - Manual Start
	SH0408C	Front Micro Bracket Set Screw NLA

FOR ELECTRIC START MACHINES



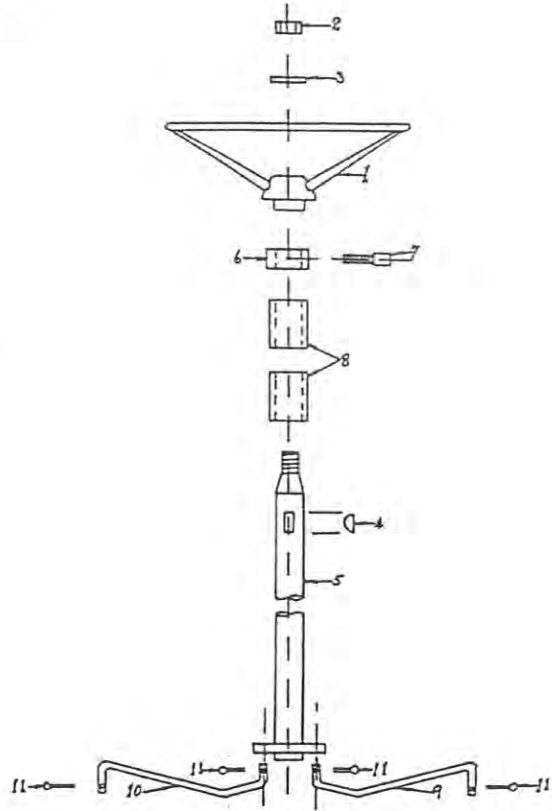
FOR MANUAL START MACHINES



7000C GROUP 15: STEERING COMPONENTS

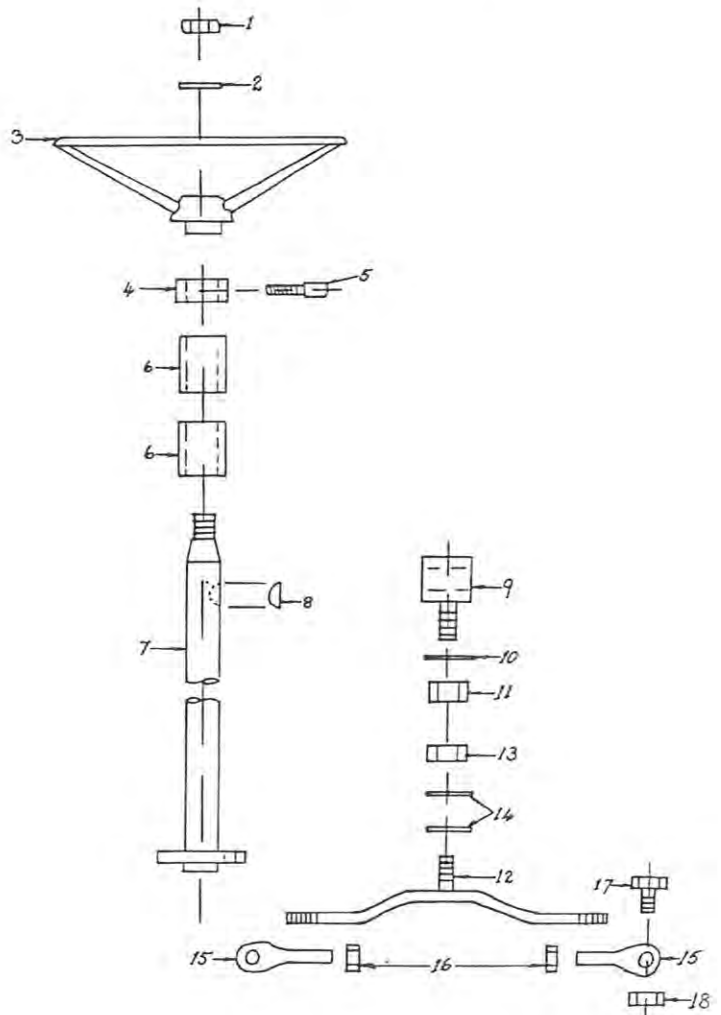
Ref. No.	Part No.	Description
1**	AM016	Steering Wheel NLA
2	N06CN	Steering Wheel Nut
3	W061216	Steering Wheel Washer
4	SK03	Steering Wheel Key
5	7067	Steering Shaft NLA
6	AM066	Steering Shaft Lock Collar
7	GS0505C	Lock Collar Grub Screw
8	SAM017	Steering Shaft Bush (2) NLA
9	7071	Steering Tie Rod R/H NLA
10	7072	Steering Tie Rod L/H NLA
11	CP2-520	Steering Tie Rod Split Pin (4)

** Convert to New Type Steering Wheel using Part No SKIT37



07A4 – 07H4 – 07E6 GROUP 15: STEERING COMPONENTS

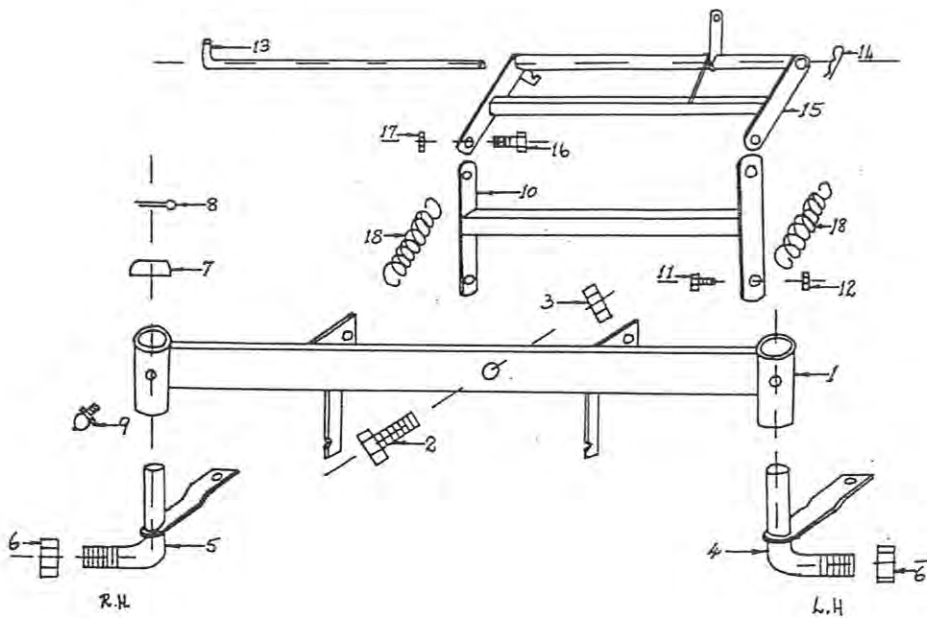
Ref. No.	Part No.	Description
1	SKIT37	Steering Wheel Kit
	N06CN	Steering Wheel Nut
	W061216	Steering Wheel Washer
5	SAM131A9	Steering Shaft 07E6 NLA
	071501A4	Steering Shaft 07A4 07H4 NLA
6	SAM017	Steering Shaft Bush (2) NLA
7	AM066	Steering Shaft Lock Collar
8	SS0408W	Lock Collar Set Screw
9	AM046	Tie Rod Pivot Block NLA
10	W061216	Pivot Block Washer
11	N06CN	Pivot Block Nut
12	S071503A4	Tie Rod NLA
13	N06CN	Tie Rod Nut
14	W061216	Tie Rod Washer
15	AM020	Tie Rod End (2)
16	N06F	Tie Rod End Lock Nut (2)
17	B0620C	Tie Rod End Attaching Bolt (2)
18	N06CN	Tie Rod End Attaching Nut (2)





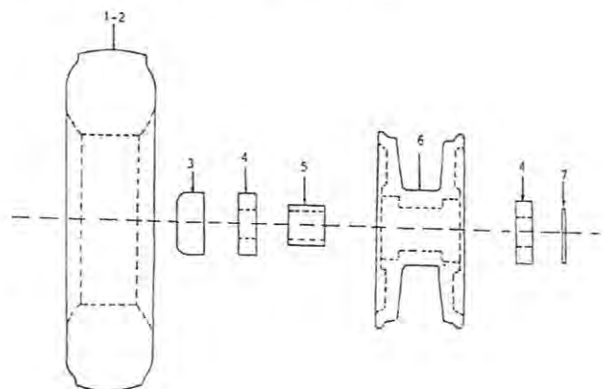
7000C-07A4-07H4-07E6 GROUP 16: FRONT AXLE COMPONENTS

Ref. No.	Part No.	Description	Ref. No.	Part No.	Description
1	S071601H4	Front Axle 07H4 07E6	9	GNTF3	Stub Axle Grease Nipple (2)
	071601A4	Front Axle 7000C 07A4 NLA	10	AM132B	Front Axle Conn Link 07A4 07E6
2	B0824C	Front Axle Pivot Bolt NLA		7084	Front Axle Conn Link 7000C NLA
3	N08CN	Front Axle Pivot Bolt Nut NLA	11	B0620C	Front Axle Connecting Link Bolt (2)
4	AM067	Left Hand Stub Axle 07H4 07E6 NLA	12	N06CN	Front Axle Conn Link Bolt Nut (2)
	071602A4	LH Stub Axle 7000C 07A4 NLA	13	AM039S2	Cutter Pivot Rod NLA
5	AM068	RH Stub Axle 07H4 07E6 NLA	14	RP02	Cutter Pivot Rod 'R' Pin
	071603A4	RH Stub Axle 7000C 07A4 NLA	15	AM133	Cutter Conn Link 07H4 07E6 NLA
6	NHM20x1.5T	Wheel Ret Nut (2) 07H4 07E6		S071606	Cutter Connecting Link 7000C 07A4
	NT10F	Wheel Ret Nut (2) 7000C 07A4NLA	16	B0620C	Connecting Link Bolt (2)
7	AM069	Axle Cup Washer (2) 07H4 07E6	17	N06CN	Connecting Link Bolt Nut (2)
	071604A4	Cup Washer (2) 7000C 07A4 NLA	18	AM040	Belt Tension Spring (2)
8	CP3-225	Stub Axle Split Pin (2)			



7000C-07A4-07H4-07E6 GROUP 17: FRONT WHEEL COMPONENTS

Ref. No.	Part No.	Description
1	TT350x4	Front Tyre & Tube (2)
2	STU350x4	Front Tube (2)
3	AM07099C	Front Hub Cap (2) 07H4 07E6
	071701	Front Hub Cap (2) 7000C 07A4 NLA
4	BB204212N	Wheel Bearing (4) 07H4 07E6
	BB1235	Wheel Bearing (4) 7000C 07A4 NLA
5	AM021	Bearing Spacer (2) 07H4 07E6
	071702	Bearing Spacer (2) 7000C 07A4 NLA
6	AM134Q2	Wheel Hub (2) 07H4 07E6NLA
	071703	Wheel Hub (2) 7000C 07A4 NLA
7	W203902	Bearing Dust Shield (4) 07H4 07E6
	W173216M	Bearing Dust Shield (4) 7000C 07A4 NLA

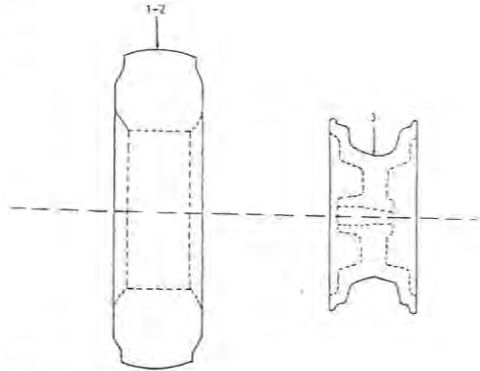




7000C-07A4-07H4-07E6 GROUP 18: REAR WHEEL COMPONENTS

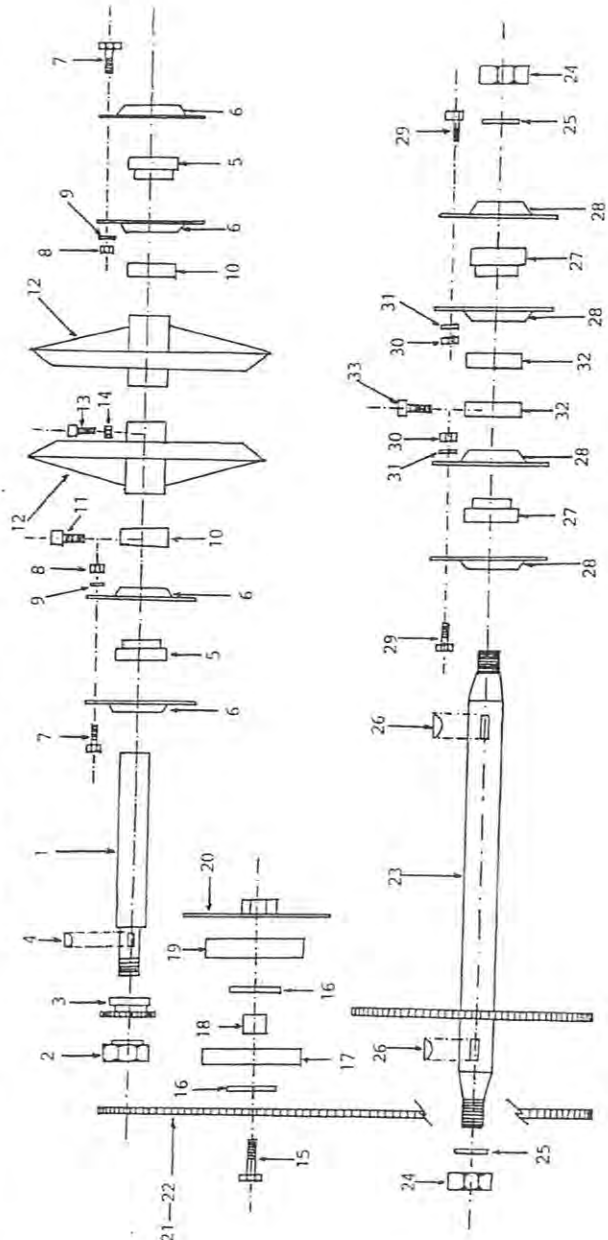
Ref. No.	Part No.	Description
1	TT350x5 TT500x6	Rear Tyre & Tube (2) 7000C 07A4 07H4(5HP) NLA Rear Tyre & Tube (2) 07H4(8HP) 07E6
2	STU350x5 STU500x6	Rear Tube (2) 7000C 07A4 07H4(5HP) NLA Rear Tube (2) 07H4(8HP) 07E6
3	S071801 AM135Q2	Wheel Hub (5") (2) 7000C 07A4 07H4(5HP) NLA Wheel Hub (6") (2) 07H4(8HP) 07E6 NLA

****8HP Manual B&S 07E6 = 5" Wheels**



7000C-07A4-07H4-07E6 GROUP 19: DRIVE COMPONENTS

Ref. No.	Part No.	Description
1	S071901 SAM071E95	Intershaft 7000C 07A4 07H4(5HP) NLA Intershaft 07H4(8HP) 07E6
2	SAM022	Intershaft Sprocket Nut
3	SKIT30	Intershaft Sprocket & Key
4	SK03	Sprocket Key
5	SBB20SAN BB25SAN	Bearing (2) 7000C 07A4 07H4(5HP) NLA Intershaft Bearing (2) 07H4(8HP) 07E6
6	SAM042 AM024	Brg Flange (4) 7000C 07A4 07H4(5HP) Bearing Flange (4) 07H4(8HP) 07E6
7	B0616C	Bearing Flange Bolt (6)
8	N06CN	Bearing Flange Nut (6)
9	W061216	Bearing Flange Washer (6)
10	SAM043 AM025	Lock Collar (2) 7000C 07A4 07H4(5HP) Lock Collar (2) 07H4(8HP) 07E6
11	GS0505C	Lock Collar Set Screw (2)
12	S071902 AM075	Clutch Plate (2) 7000C 07A4 07H4(5HP) NLA Clutch Plate (2) 07H4(8HP) 07E6 NLA
13	SS0612W	Clutch Plate Set Screw (4)
14	N06C	C/Plate Lock Nut (4) NO LONGER REQUIRED
15	B0832C	Chain Adjuster Bolt 07A4 07H4 07E6
16	W081816	Chain Adj Washer (2) 07A4 07H4 07E6
17	SKIT31	Adj Brg & Spacer 07A4 07H4 07E6 NLA
18	AM154	Chain Adjuster Spacer 07E6 NLA
19	SAM136	Adjuster Pillar 07A4 07H4 07E6 NLA
20	SAM137 071904A4	Chain Adjuster Lock Plate 07E6 Chain Adjuster Lock Plate 07A4 07H4 NLA
21	AM018	Drive Chain including Link
22	SAM019	Drive Chain Connecting Link
23	S071905 S201901L7	Rear Axle 7000C 07A4 07H4(5HP) NLA Rear Axle 07H4(8HP) 07E6 NLA
24	N08C N10F	R/Wl Ret Nut (2) 7000C 07A4 07H4(5HP)NLA R/Wheel Ret Nut (2) 07H4(8HP) 07E6
25	W081816 W102016	Ret Washer (2) 7000C 07A4 07H4(5HP) R/Wheel Ret Washer (2) 07H4(8HP) 07E6
26	SK09 K18	R/Wheel Key (2) 7000C 07A4 07H4(5HP) Rear Wheel Key (2) 07H4(8HP) 07E6
27	SBB20SAN BB25SAN	Bearing (2) 7000C 07A4 07H4(5HP) NLA Rear Axle Bearing (2) 07H4(8HP) 07E6
28	SAM042 AM024	Bearing Flange (4) 7000C 07A4 07H4(5HP) Bearing Flange (4) 07H4(5HP) 07E6
29	B0616C	Bearing Flange Bolt (6)
30	N06CN	Bearing Flange Nut (6)
31	W061216	Bearing Flange Washer (6) 07H4(8HP) 07E6
32	SAM043 AM025	R/Axle Lock Collar (2) 7000C 07A4 07H4(5HP) R/Axle Lock Collar (2) 07H4(8HP) 07E6
33	GS0505C 7002	Rear Axle Lock Collar Set Screw (2) Rear Axle Mounting Plate (2) 7000C NLA
	B0616C	Rear Axle Mounting Plate Bolt (4) 7000C
	N06CN	Rear Axle Mtg Plate Bolt Nut (4) 7000C
	W0620HD	Axle Mtg Plate Bolt Nut Washer (4) 7000C

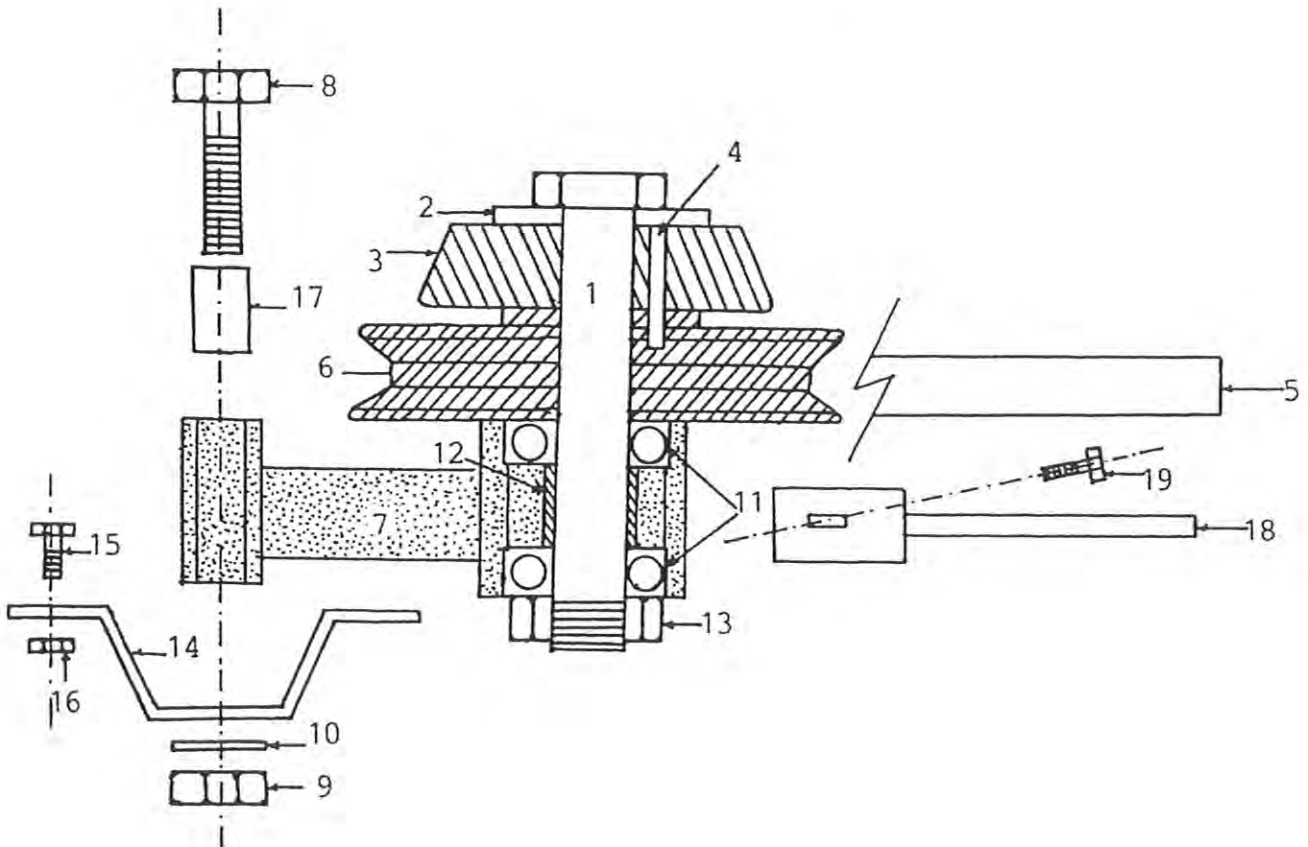


**** 8HP Manual B&S 07E6 Use same as 07A4**



7000C-07A4-07H4-07E6 GROUP 20: CLUTCH ARM & COMPONENTS

Ref. No.	Part No.	Description
1	SKIT131	Clutch Shaft
2	W204303	Clutch Cone Retaining Washer
3	KIT187	Clutch Cone
4	PDM0630	Clutch Cone Pin
5	V01	Engine to Clutch Belt
6	AM139Q2	Clutch Pulley
7	AM142	Clutch Arm 07H4 07E6 NLA
	072003	Clutch Arm 7000C 07A4 NLA
8	B0664W	Clutch Arm Pivot Bolt 07H4 07E6 NLA
	B0656C	Clutch Arm Pivot Bolt 7000C 07A4
9	N06CN	Clutch Arm Pivot Bolt Nut
10	W061216	Clutch Arm Pivot Bolt Washer
11	BB205215NS	Clutch Bearing (2) 07H4 07E6
	BB204212N	Clutch Bearing (2) 7000C 07A4
12	AM072	Clutch Bearing Spacer 07H4 07E6
	AM021	Clutch Bearing Spacer 7000C 07A4
13	NHM20X1.5T	Clutch Shaft Nut
14	AM140B	Clutch Arm Bracket 07H4 07E6
15	B0516C	Clutch Arm Bracket Bolt (4) 07H4 07E6
16	N05CN	Clutch Arm Bracket Bolt Nut (4) 07H4 07E6
17	AM141	Clutch Arm Bracket Spacer 07H4(8HP) 07E6
	072006H4	Clutch Arm Bracket Spacer 07H4(5HP) NLA
18	AM142	Clutch Arm Yoke 07H4 07E6
19	B0512C	Clutch Arm Yoke Retaining Bolt (2) 07H4 07E6



7000C-07A4-07H4-07E6 GROUP 21: 28" MOWING ATTACHMENT COMPONENTS

Ref. No.	Part No.	Description	Ref. No.	Part No.	Description
1	0721001	Cutter Hsg 7000C 07A4 07H4(25") NLA	29	PR0207	Brake Pad Pop Rivet (2)
	072112H4	Cutter Hsg 07H4(28") 07E6 NLA	30	B0516C	Brake Pivot Bolt
2	AM259	Deflector 07A4 07H4 07E6	31	N05CN	Brake Pivot Bolt Nut
	AM038	Windrower Rigid 7000C NLA	32	S072103	Cutter Disc 7000C 07A4 07H4(25") NLA
3	B0412C	Windrower Pivot Bolt (2) 07A4 07H4 07E6		AM07604A	Cutter Disc 07E6 (28")
4	N04CN	Pivot Bolt Nut (2) 07A4 07H4 07E6	33	B0616C	Cutter Disc Retaining Bolt (4)
5	AM052E1	Windrower Bracket 07A4 07H4 07E6	34	N06CN	Cutter Disc Retaining Bolt Nut (4)
6	B0412C	Bracket Bolt (2) 07A4 07H4 07E6	35	SMB137SHD	Cutter Blade 7000C 07A4 07H4 (25")
7	N04CN	Bracket Bolt Nut (2) 07A4 07H4 07E6		SKIT32	Cutter Blade Kit 28" 07H4 07E6 (28")
8	SAM053D7	Anti-Vibration Strip 07A4 07H4 07E6 NLA	36	SMB137AHD	Cutter Blade 25" 7000C 07A4 07H4
9	STR09	Transfer Cutter Housing L/H NLA		SKIT33	Cutter Blade Kit - Air Flow 28" 07H4 07E6
10	STR10	Transfer Cutter Housing R/H NLA	37	SKIT01D1	Blade Bolt & Nut Set
11	AM036D9	Cutter Housing Roller	38	072111H4	Cutter Bar 25" Air Flow NLA
12	AM037	Cutter Housing Roller Shaft		AM074	Cutter Bar 28" Air Flow NLA
13	CP3-225	Roller Shaft Split Pin	39	AM085	Cutter Bar 25" Stepped NLA
14	SKIT08	Bearing Housing c/w Guides		AM086	Cutter Bar 28" Stepped NLA
15	AM073	Bearing Housing Belt Guides (2)	40	AM081	Saddle Clamp NLA
16	B0420C	Belt Guide Bolt (2)	41	B0616C	Cutter Bar & Clamp Bolt (4)
17	N04CN	Belt Guide Bolt Nut (2)	42	N06CN	Cutter Bar & Clamp Nut (4)
18	B0616C	Bearing Housing Bolt (4)	43	V13	Belt - Cutter to Engine
19	N06CN	Bearing Housing Bolt Nut (4)	44	S072108A4	Height Adjustment Handle
20	13181	Cutter Shaft including Washer	45	AM009	Height Adjustment Hand Grip
21	SK09	Cutter Shaft Key	46	SAM050	Height Adjustment Spring Plate NLA
22	BB205215NS	Cutter Shaft Bearing (2)	47	B0512C	Spring Plate Bolt (4)
23	AM029	Cutter Shaft Bearing Spacer	48	N05CN	Spring Plate Bolt Nut (4)
24	AM030	Cutter Shaft Pulley	49	S072110	Over Ride Stop NLA
25	W203902	Cutter Pulley Retaining Washer		AM101	Windrower Spring Plate 07H4 07E6 NLA
26	NHM20x1.5T	Cutter Pulley Retaining Nut			
27	KIT15	Cutter Brake Including Pad			
28	AM033I95	Brake Pad			

****8HP Manual B&S 07E6 Uses Same As 07A4****

