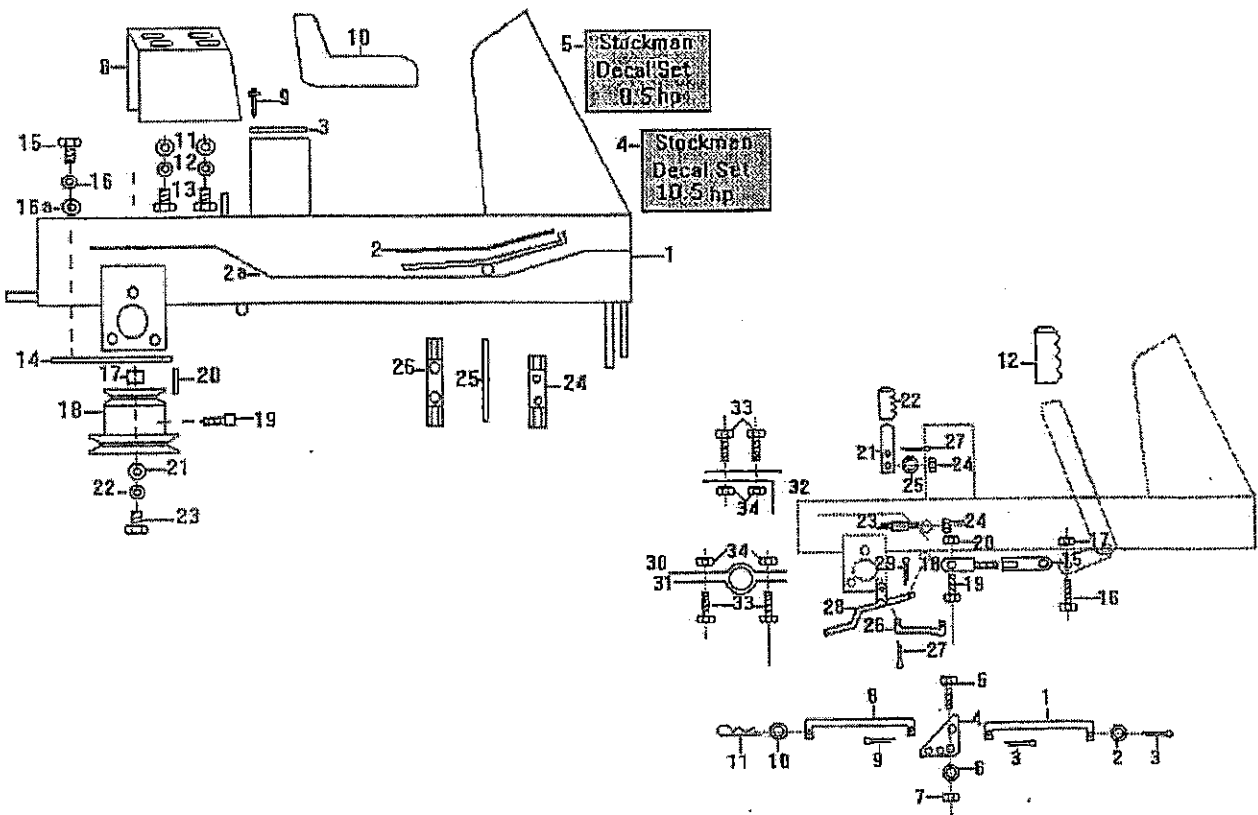


**8.5HP & 10.5HP  
1995 - 1998  
2013 - 20C95 - 20I95 42F95**

# STOCKMAN 2013-20C95-20I95-42F95 GROUP 11: MAIN CHASSIS & COMPONENTS

Ref No.	Part No.	Description
1	S201101L7	Chassis 2013,20C95,20I95 NLA
	421101	Chassis 42F95 NLA
2	NSM01	Non Skid Material-Clutch Pedal
2a	NSM20	Non Skid Material-Foot Rest
3	201103U2	Transmission Cover Pad NLA
4	DEC201310.5	S/man 10.5HP Decal Set NLA
5	DEC20138.5	S/man 8.5HP Decal Set NLA
8	S201102E9	Cover 2013,20C95,20I95 NLA
	201104	Trans Cover 42F95 NLA
9	PR0308R	Trans. Cover Pop Rivet (4)
10	AM164	Seat NLA
11	W052003	Seat Ret. Bolt Washer (4)
12	W05S	Seat Ret. Lock Washer (4)
13	SH0512C	Seat Retaining Bolt (4)

Ref No.	Part No.	Description
14	AM078B0	Engine Bolt Plate (2)
15	B0524C	Engine Mount Bolt (4)
16	W5050216	Mount Spring Washer (4)
16a	W051216	Eng. Mount Bolt Washer (4)
17	AM117	Engine Pulley Spacer
18	AM108	Engine Pulley NLA
19	GS0505C	Engine Pulley Set Screw
20	AM115	Engine Pulley Key
21	W072004	Pulley Retaining Bolt Washer
22	W07S	Pulley Ret. Bolt Lock Washer
23	SH0720F	Engine Pulley Retaining Bolt
24	AM005G0	Spark Plug Spanner
25	AM007	Tube Spanner Tommy Bar
26	AM006C1	Tube Spanner



# STOCKMAN 2013-20C95-20I95-42F95 GROUP 12: RIGHT HAND SIDE OF CHASSIS

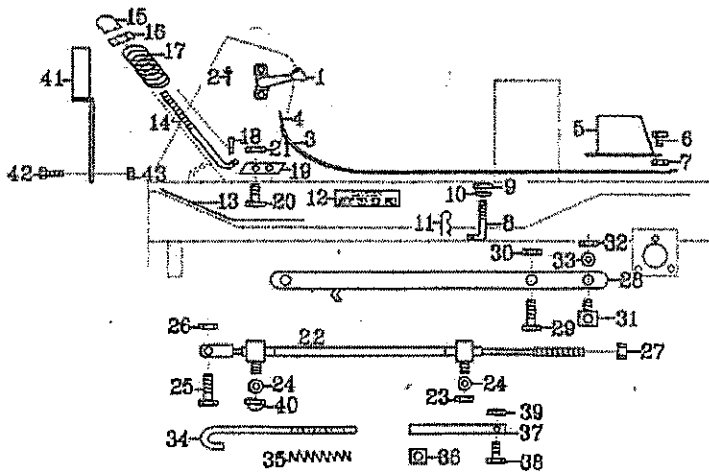
Ref No.	Part No.	Description
1	AM120C95	Clutch Rod Long
2	W071416	Clutch Rod Long Washer
3	CP3-220	Clutch Rod Long Split Pin (2)
4	AM121	Clutch Pivot Plate
5	B0620C	Clutch Pivot Plate Bolt
6	W061216	Pivot Plate Bolt Washer
7	N06CN	Clutch Pivot Plate Bolt Nut
8	AM122	Clutch Rod Short
9	CP3-220	Clutch Rod Short Split Pin
10	W051216	Clutch Rod Short Washer
11	RP01	Clutch Rod Short 'R' Pin
12	AM009	Disengaging Handle Grip
15	SAM118	Diseng Adj Bushed 2013,20C95,20I95
	AM353	Diseng Adj Bushed 42F95
16	SH0616C	Disengaging Adjuster Bolt
17	N06CN	Disengaging Adj. Bolt Nut
18	AM010J6	Disengaging Adj. Threaded

Ref No.	Part No.	Description
19	SH0516C	Disengaging Adjuster Bolt
20	N05CN	Disengaging Adj. Bolt Nut
21	201201L7	Hand Brake Handle
22	AM089	Hand Grip
23	201202L7	Hand Brake Pivot Pillar
24	N06CN	Pivot Nut (2)
25	W061216	Pivot Nut Washer
26	201203L7	Hand Brake Actuating Rod NLA
27	CP3-220	Actuating Rod Split Pin (2)
28	AM119	Parking Brake
29	CP3-220	Parking Brake Split Pin
30	AM112	Disengaging Micro Bracket
31	AM113	Diseng. Micro Brkt Clamp NLA
32	AM114	Diseng. Micro Spring Plate
33	SH0412C	1/4 x 3/4UNC Screw (4)
34	N04CN	1/4 Nyloc Nut (4)

## STOCKMAN 2013 & 20C95 GROUP 13: LEFT HAND SIDE OF CHASSIS

Ref No.	Part No.	Description
1	AM088	Throttle Lever
2	PR0308R	Throttle Lever Rivet (2)
3	AM151L95	Throttle Cable Outer
4	AM150L95	Throttle Cable Inner
5	S201303L7R	Chain Guard
6	SH0408C	Chain Guard Bolt (2)
7	N04CN	Chain Guard Bolt Nut (2)
8	AM124	Cutter Adjustment Rear Hook
9	N06CN	Cutter Adj. Rear Hook Nut
10	AM125	Cutter Adj. Hook Spacer
11	RP02	Cutter Adj. Rear Hook 'R' Pin
13	NSM01	Foot Rest Rubber
13a	NSM01	Non Skid Material
14	AM143M9	Height Adj. Pawl Push Rod
15	AM013Q2	Height Adj. Push Rod Button
16	N04C	Height Adj. Push Rod Nut
17	AM012	Height Adj. Push Rod Spring
18	CP2-512	Hght. Adj. Push Rod Split Pin
19	AM011	Height Adjustment Pawl
20	SH0516C	Height Adj. Pawl Pivot Bolt
21	N05CN	Height Adj. Pivot Bolt Nut
22	S201304L7	Height Adjustment Cable NLA

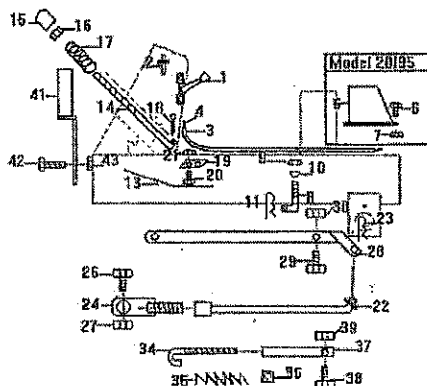
Ref No.	Part No.	Description
23	N06CN	Cable Locating Nut
24	W061216	Cable Locating Washer (2)
25	SH0616C	Cable Pivot Bolt
26	N06CN	Cable Pivot Bolt Nut
27	N06C	Cable Nut (2)
28	S201305L7	Height Connecting Rod NLA
29	SH0616C	Height Conn. Rod Bolt (2)
30	N06CN	Height. Conn. Rod Bolt Nut (2)
31	AM046	Connecting Rod Pivot Block
32	N06CN	Pivot Block Nut
33	W061216	Pivot Block Washer
34	AM123	Cutter Brake Adjuster Rod
35	AM035	Cutter Brake Adjuster Spring
36	NS05C	Cutter Brake Adj. Rod Nut
37	AM034H0	Cutter Brake Adj. Bracket
38	SH0516C	Cutter Brake Adjuster Bolt
39	N05CN	Cutter Brake Adj. Bolt Nut
40	SND06C	Height Adj Cable Domed Nut
41	S201306L7	Height Adjustment Handle
42	B0632C	Height Adj. Handle Pivot Bolt
43	N06CN	Height Adj. Handle Pivot Nut



## STOCKMAN 20I95-42F95 GROUP 13: LEFT HAND SIDE OF CHASSIS

Ref No.	Part No.	Description
1	AM088	Throttle Lever
2	PR0308R	Throttle Lever Rivet (2)
3	AM151L95	Throttle Cable Outer
4	AM150L95	Throttle Cable Inner
5	S201303L7R	Chain Guard 20I95
6	SH0408C	Chain Guard Bolt (2) 20I95
7	N04CN	Chain Guard Bolt Nut (2) 20I95
8	AM124	Cutter Adjustment Rear Hook
9	N06CN	Cutter Adj. Rear Hook Nut
10	AM125	Cutter Adj. Hook Spacer
11	RP02	Cutter Adj. Rear Hook 'R' Pin
13	NSM01	Non Skid Material
14	AM143M9	Height Adj. Pawl Push Rod
15	AM013Q2	Height Adj. Push Rod Button
16	N04C	Height Adj. Push Rod Nut
17	AM012	Height Adj. Push Rod Spring
18	CP2-512	Hght. Adj. Push Rod Split Pin
19	AM011	Height Adjustment Pawl
20	SH0516C	Height Adj. Pawl Pivot Bolt

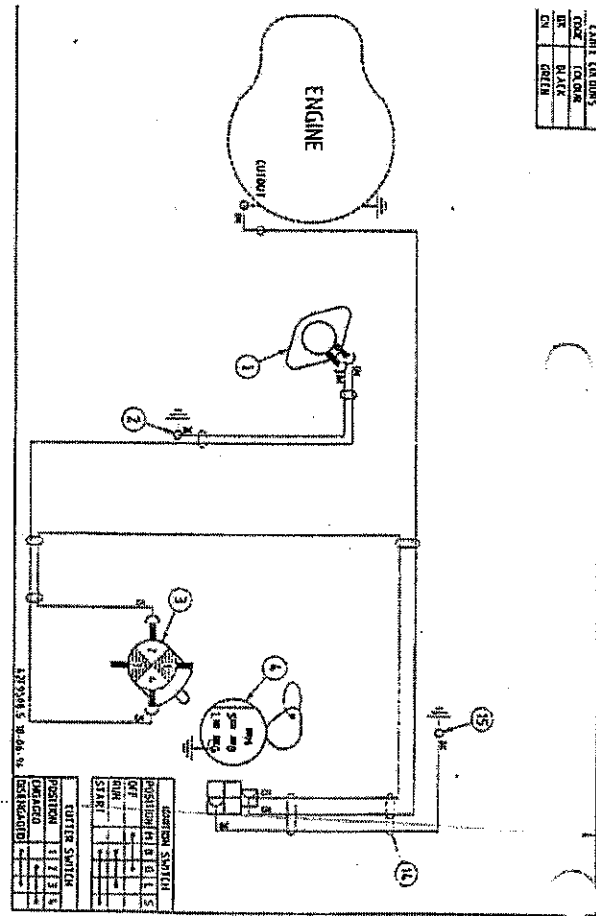
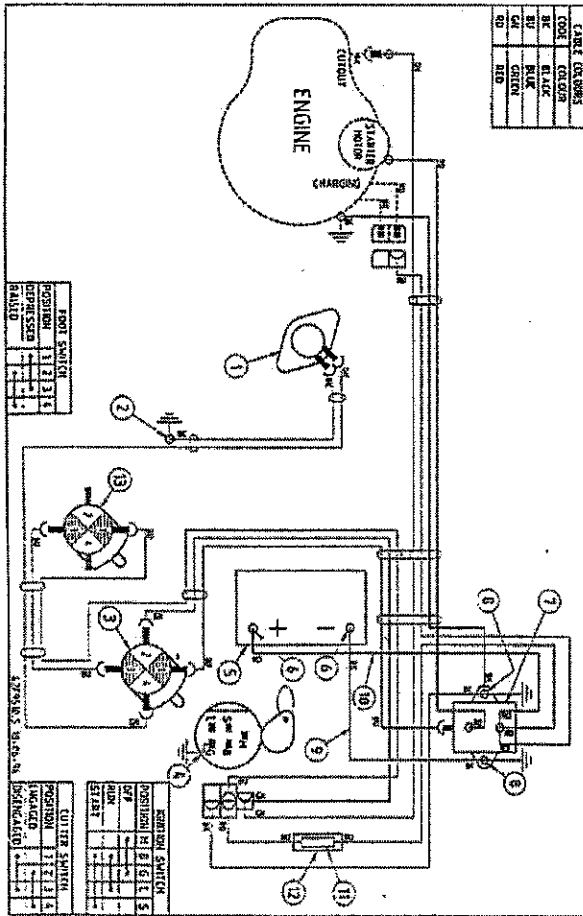
Ref No.	Part No.	Description
21	N05CN	Height Adj. Pivot Bolt Nut
22	AM354	Height Adjustment Rod
23	RP02	Height Adjustment R-Pin
24	AM355	Height Adjustment Threaded
26	SH0616C	Height Adjustment Bolt
27	N06CN	Height Adjustment Nut
28	AM352	Height Connecting Rod
29	SH0616C	Height Conn. Rod Bolt (2)
30	N06CN	Hght. Conn. Rod Bolt Nut (2)
34	AM123	Cutter Brake Adjuster Rod
35	AM035	Cutter Brake Adjuster Spring
36	NS05C	Cutter Brake Adj. Rod Nut
37	AM034H0	Cutter Brake Adj. Bracket
38	SH0516C	Cutter Brake Adjuster Bolt
39	N05CN	Cutter Brake Adj. Bolt Nut
41	201306K94	Height Adjustment Handle
42	B0632C	Height Adj. Handle Pivot Bolt
43	N06CN	Height Adj. Handle Pivot Nut



# STOCKMAN 2013-20C95-20I95-42F95 GROUP 14: ELECTRICAL CIRCUIT

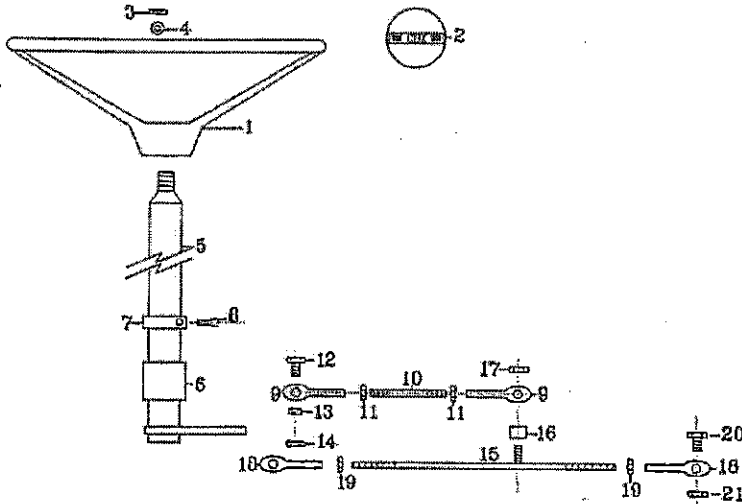
Ref No.	Part No.	Description
1	** AM165	Seat Micro Switch
	** SR0408W	Seat Micro Screw (2)
	** W04S	Micro Screw S/P Washer (2)
2	PR0306	Seat Micro Switch Earth Rivet
3	** AM092	Disengaging Micro Switch
	** AM112	Disengaging Micro Bracket
	** AM113	Diseng. Micro Brkt Clamp NLA
	** AM114	Diseng. Micro Spring Plate
	** SH0412C	Diseng. Micro Brkt Bolt (4)
	** ND4CN	Diseng. Micro Brkt Nut (4)
4	** AM014	Ignition Switch
	** AM015	Ignition Key
5	AM109	Battery
6	SH0412C	Battery Terminal Bolt (2)
	N04C	Battery Terminal Bolt Nut (2)
	AM126	Battery Clamp (2)
	SR0420C	Battery Clamp Screw
	N04C	Battery Clamp Nut
	SH0412C	Battery Clamp Lower Bolt (2)
	N04CN	Battery Clamp Lower Nut (2)
	AM098M8	Battery Cover
	** AM096	Loom Clamp (2)
	** B0416C	Loom Clamp Bolt

Ref No.	Part No.	Description
	** N04C	Loom Clamp Nut
	** N04CN	Loom Clamp Lock Nut
7	AM159	Solenoid
8	SH0412C	Solenoid Mounting Bolt (2)
	N04CN	Solenoid Mounting Nut (2)
9	13116	Lead - Sol-Battery (Black)
10	13115	Lead - Sol-Battery (Red)
11	SAM104	10 amp Fuse NLA
12	SAM160	Fuse Holder
13	AM092	Foot Micro Switch
	AM100R2	Foot Micro Spring Plate
	SH0412C	Micro Spring Plate Bolt (2)
	N04CN	Micro Spring Plate Nut (2)
	** SH0512C	Earth Bolt
	** W05S	Earth Bolt Lock Washer
	** W051216	Earth Bolt Washer
14	** AM174	Wiring Loom (Manual Start)
	SAM12BE9	Wiring Loom (Elect Start) NLA
15	SH0412C	Earth Screw
	N04CN	Earth Nut
	**	Used On Manual Start Machines Only



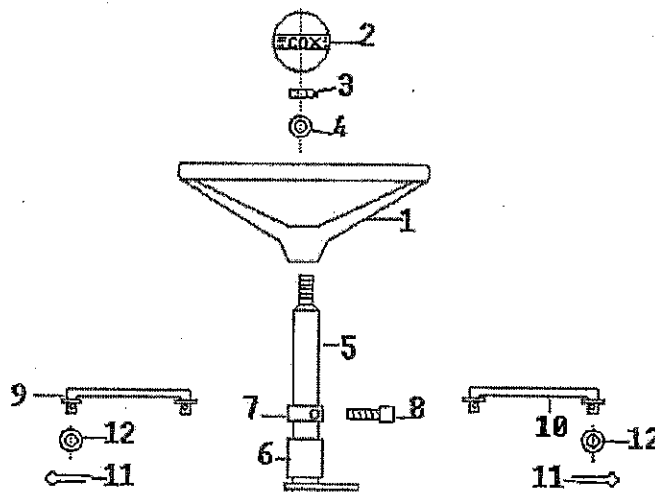
## STOCKMAN 2013 GROUP 15: STEERING COMPONENTS

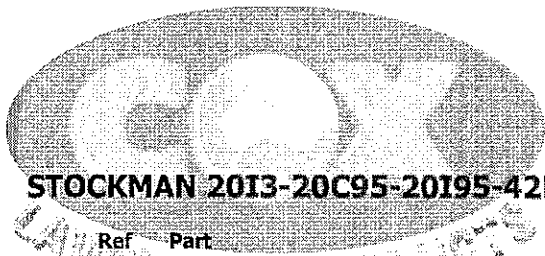
Ref No.	Part No.	Description	Ref No.	Part No.	Description
1	SKIT37	Steering Wheel Incl. Emblem	12	SH0616C	Steering Adjuster Pivot Bolt
	AM167MB	Steering Wheel	13	SAM144	Tie Rod Pivot Spacer <b>NLA</b>
2	AM225	Steering Wheel Emblem	14	N06CN	Steering Adjuster Pivot Bolt Nut
3	N06CN	Steering Wheel Ret. Nut	15	S201502L7	Tie Rod
4	W061216	Steering Wheel Ret. Nut Washer	16	SAM144	Tie Rod Pivot Spacer <b>NLA</b>
5	SAM131A9	Steering Shaft	17	N06CN	Tie Rod Pivot Nut
6	SAM017	Steering Shaft Bush (2)	18	AM020	Tie Rod End (2)
7	AM066	Steering Shaft Lock Collar	19	N06F	Tie Rod End Lock Nut (2)
8	GS0404C	Lock Collar Set Screw	20	B0620C	Tie Rod End Attaching Bolt(2)
9	AM020	Tie Rod End (2)	21	N06CN	Tie Rod End Attach Bolt Nut(2)
10	S20150517	Steering Adjuster <b>NLA</b>	22	SAM144	Tie Rod Pivot Spacer (2) <b>NLA</b>
11	N06F	Steering Adjuster Lock Nut (2)			



## STOCKMAN 20C95-20I95-42F95 GROUP 15: STEERING COMPONENTS

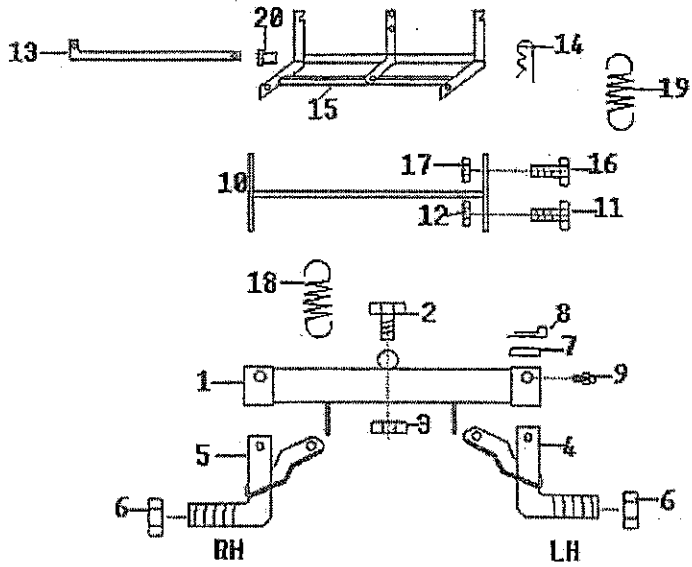
Ref No.	Part No.	Description	Ref No.	Part No.	Description
1*	AM167MB	Steering Wheel	7	AM066	Steering Shaft Lock Collar
2*	AM225	Steering Wheel Emblem	8	GS0404C	Lock Collar Set Screw
3	N06CN	Steering Wheel Ret. Nut	9	201505	R/H Tie Rod
4	W061216	Steering Wheel Ret. Nut Washer	10	201504	L/H Tie Rod
5	201503	Steering Shaft	11	CP2-512	Tie Rod End Split Pin (2)
6	AM017C1	Steering Shaft Bush (2)	12	W051216	Tie Rod End Washer (2)
			*	SKIT37	Steering Wheel Incl. Emblem





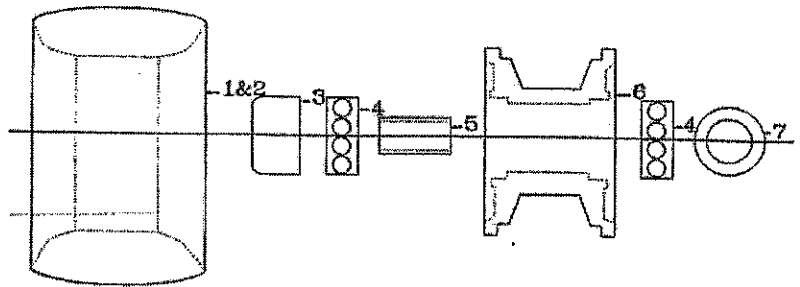
**STOCKMAN 2013-20C95-20I95-42F95 GROUP 16: FRONT AXLE COMPONENTS**

Ref No.	Part No.	Description
1	S201601L7	Front Axle NLA
2	B0824C	Front Axle Pivot Bolt
3	N08CN	Front Axle Pivot Bolt Nut
4	AM067	L.H. Stub Axle
5	AM068	R.H. Stub Axle
6	NHM20X1.5T	Front Wheel Retaining Nut (2)
7	AM069	Stub Axle Cup Washer (2)
8	CP3-225	Stub Axle Split Pin (2)
9	GNTF3	Stub Axle Grease Nipple (2)
10	AM132B	Front Axle Connecting Link
11	SH0616C	Front Axle Connecting Link Bolt (2)
12	N06CN	Front Axle Conn. Link Bolt Nut (2)
13	AM039S2	Cutter Pivot Rod NLA
	13016	Cutter Pin (New Type)
	NM6NT	Nut (1)
	SH0616M	Set Screw (1)
14	RP02	Cutter Pivot Rod 'R' Pin
15	201603L7B	Cutter Connecting Link
16	SH0616C	Connecting Link Bolt (2)
17	N06CN	Connecting Link Bolt Nut (2)
18	AM264	Belt Tension Spring
19	AM145	Weight Compensating Spring
20	AM230	Cutter Housing Conn Link Bush (2)



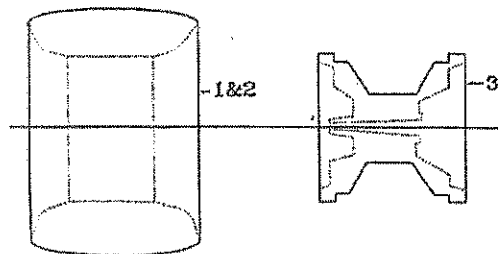
**STOCKMAN 2013-20C95-20I95-42F95 GROUP 17: FRONT WHEEL COMPONENTS**

Ref No.	Part No.	Description
1	TT350x4	F/Wheel Tyre & Tube (2)
	STU350x4	Front Wheel Tube (2)
3	AM07099C	Front Hub Cap (2)
4	BB204212N	Front Wheel Bearing (4)
5	AM021	Bearing Spacer (2)
6	AM134Q2	Wheel Hub (42mm Bore) (2)
7	W203902	Bearing Dust Shield (4)



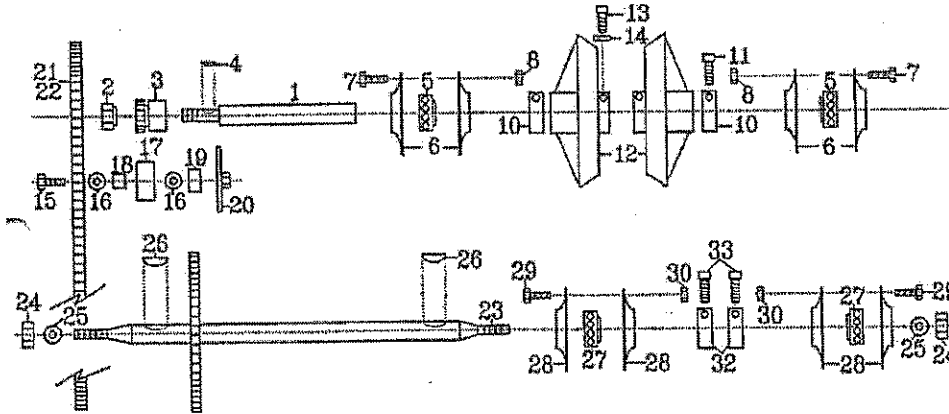
**STOCKMAN 2013-20C95-20I95-42F95 GROUP 18: REAR WHEEL COMPONENTS**

Ref No.	Part No.	Description
1	TT500x6	Rear Wheel Tyre & Tube (2)
	STU500x6	Rear Wheel Tube (2)
3	AM135Q2	Wheel Hub (6") (2)



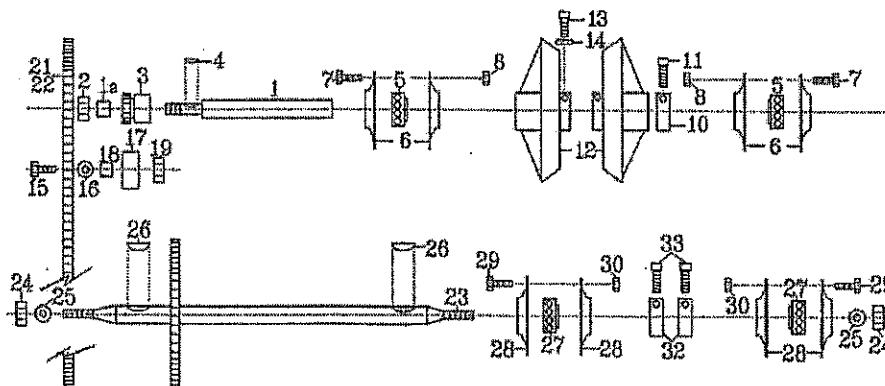
## STOCKMAN 2013-20C95-20I95 GROUP 19: DRIVE COMPONENTS

Ref No.	Part No.	Description	Ref No.	Part No.	Description
1	SAM071E95	Intershaft	18	AM154	Chain Adjuster Spacer <b>NLA</b>
2	SAM022	Intershaft Sprocket Nut	19	SAM136	Chain Adjuster Pillar <b>NLA</b>
3	SKIT30	Intershaft Sprocket & Key	20	SAM137	Chain Adjuster Lock Plate
4	SK03	Sprocket Key	21	AM018	Drive Chain Incl. Link
5	BB25SAN	Intershaft Bearing (2)	22	SAM019	Drive Chain Connecting Link
6	AM024	Bearing Flange (4)	23	S201901L7	Rear Axle <b>NLA</b>
7	SH0616C	Bearing Flange Bolt (6)	24	N10F	Rear Wheel Retaining Nut (2)
8	N06CN	Bearing Flange Bolt Nut (6)	25	W102016	Rear Wheel Ret. Washer (2)
10	AM025	Intershaft Lock Collar (2)	26	K18	Rear Wheel Key (2)
11	GS0505C	Clutch Plate Set Screw (2)	27	BB25SAN	Rear Axle Bearing (2)
12	AM075	Clutch Plate (2) <b>NLA</b>	28	AM024	Rear Axle Bearing Flange (4)
13	SS0612W	Clutch Plate Set Screw Set (4)	29	SH0616C	Bearing Flange Bolt (6)
15	B0832C	Chain Adjuster Bolt <b>NLA</b>	30	N06CN	Bearing Flange Bolt Nut (6)
16	W081816	Chain Adjuster Washer (2)	32	AM025	Rear Axle Lock Collar (2)
17	SKIT31	Chain Adj. Bearing & Spacer <b>NLA</b>	33	GS0505C	Axle Lock Collar Screw (2)

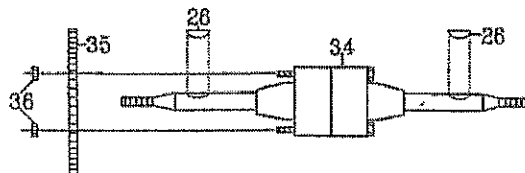


## STOCKMAN 42F95 GROUP 19: DRIVE COMPONENTS

Ref No.	Part No.	Description	Ref No.	Part No.	Description
1	AM349E95	Intershaft <b>NLA</b>	19	N06CN	Chain Adjuster Nut
1a	AM350	Intershaft Bearing Spacer	21	AM018	Drive Chain Incl. Link
2	N10F	Intershaft Sprocket Nut	22	SAM019	Drive Chain Connecting Link
3	SKIT30	Intershaft Sprocket & Key	23	AM348	Rear Axle
4	SK03	Sprocket Key	24	N10F	Rear Wheel Retaining Nut (2)
5	BB25SAN	Intershaft Bearing (2)	25	W102016	Rear Wheel Ret. Washer (2)
6	AM024	Bearing Flange (4)	26	K18	Rear Wheel Key (2)
7	SH0616C	Bearing Flange Bolt (6)	27	BB25SAN	Rear Axle Bearing (2)
8	N06CN	Bearing Flange Bolt Nut	28	AM024	Rear Axle Bearing Flange (2)
10	AM025	Intershaft Lock Collar (2)	29	SH0616C	Bearing Flange Bolt (6)
11	GS0505C	Clutch Plate Set Screw (2)	30	N06CN	Bearing Flange Bolt Nut (6)
12	AM075	Clutch Plate (2) <b>NLA</b>	32	AM025	Rear Axle Lock Collar (2)
13	SS0612W	Clutch Plate Set Screw Set (4)	33	GS0505C	Axle Lock Collar Screw (2)
15	B0664C	Chain Adjuster Bolt	34 *	AM345	Rear Axle Differential
16	W0620HD	Chain Adjuster Washer (2)	35 *	AM346	Rear Axle Diff Sprocket
17	AM263	Chain Adj. Brg & Spacer <b>NLA</b>	36 *	N05CN	R/Axle Diff Sprocket Nut (4)
18	AM351	Chain Adjuster Spacer	*		<b>Differential Model Only</b>

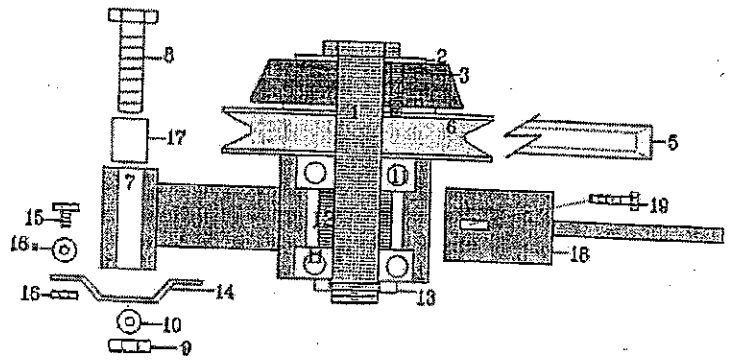


Section 4



## STOCKMAN 2013-20C95-20I95-42F95 GROUP 20: CLUTCH ARM COMPONENTS

Ref No.	Part No.	Description
1	SKIT131	Clutch Shaft
2	W204303	Clutch Cone Retaining Washer
3	KIT187	Clutch Cone
4	PDM0630	Clutch Cone Pin
5	V01	Belt - Engine to Clutch
6	AM139Q2	Clutch Pulley
7	SKIT07	Clutch Arm
8	B0664C	Clutch Arm Pivot Bolt
9	N06CN	Clutch Arm Pivot Bolt Nut
10	W061216	Clutch Arm Pivot Bolt Washer
11	BB205215NS	Clutch Bearing (2)
12	AM072	Clutch Bearing Spacer
13	NHM20X1.5T	Clutch Shaft Nut
14	AM140B	Clutch Arm Bracket
15	B0416C	Clutch Arm Bracket Bolt (4)
16	N04CN	Clutch Arm Bracket Bolt Nut (4)
16a	W041216	Clutch Arm Bracket Bolt Washer (4)
17	AM141	Clutch Arm Bracket Spacer
19	SH0512C	Clutch Arm Yoke Retaining Bolt (2)



## STOCKMAN 2013-20C95-20I95-42F95 GROUP 21: 28" M/ATTACHMENT COMPONENTS

Ref No.	Part No.	Description	Ref. No.	Part No.	Description
1	SKIT129	Cutter Housing <b>NLA</b>	32	CP3-225	Cutter Roller Shaft Split Pin
2	SKIT08	Bearing Housing C/W Guides	35	KIT15	Cutter Brake Incl. Pad
3	B0620C	Bearing Housing Bolt (4)	36	SH0516C	Cutter Brake Pivot Bolt
4	NF06CN	Bearing Housing Bolt Nut (4)	37	N05CN	Cutter Brake Pivot Bolt Nut
5	V13	Belt - Cutter to Engine	38	AM033195	Brake Pad
15	AM073	Bearing Hsng Belt Guide (2)	39	PR0207	Brake Pad Pop Rivet (2)
16	B0420C	Brg. Hsng. Guide Bolt (2)	40 **	AM259	Deflector
17	N04CN	Brg. Hsng. Guide Nut (2)	41 **	AM273	Deflector Pivot Rod
18	13181	Cutter Shaft	42	AM230	Cutter Bush (2)
19	SK09	Cutter Shaft Key	43 **	AM052E1	Deflector Bracket
20	BB205215NS	Cutter Shaft Bearing (2)	44 **	AM272	Deflector Spring (1)
21	AM029	Cutter Shaft Bearing Spacer	45 **	SH0412C	Deflector Bracket Bolt (2)
22	AM030	Cutter Shaft Pulley	46 **	N04CN	Deflector Bracket Bolt Nut (2)
23	W204303	Cutter Pulley Ret. Washer	47 **	W041216	Deflector Bracket Washer (2)
24	NHM20X1.5T	Cutter Pulley Ret. Nut	48	202102	Cutter Front Guard
	WM20S	Pulley Ret. Nut S/P Washer	49	W051216	Cutter Guard Washer (3)
25	AM07604A	Cutter Disc	50	N05CN	Cutter Guard Ret. Nut (3)
26	SH0612C	Disc Ret. Bolt (4)	51 **	AM274	Deflector Ratchet Plate
27	N06CN	Disc Ret. Bolt Nut (4)			
28	SMB150SHD	Cutter Blade - Stepped			
	SMB150AHD	Cutter Blade - Air Flow			
29	SKIT01D1	Blade Bolt & Nut Set			
30	AM036D9	Cutter Roller			
31	AM037	Cutter Roller Shaft			

**SKIT32** Blade, Bolt, Nut - Stepped  
**SKIT33** Blade, Bolt, Nut - Air Flow  
**SKIT66** Deflector Kit

